

# I-Series



## Renovate. Revamp. Rejuvenate

Adding supplementary heat to your home doesn't mean you have to sacrifice your tastes or a beautiful fire. We have brought our bright bold flames Montigo is known for and created a new generation of gas inserts.

### Design Versatility

Designed for spaces that are traditional, contemporary or somewhere in between. Choose your style, size and accessories to create your perfect fireplace insert.

### Burner Technology

The traditional burner has been cast in ceramic to produce a realistic fire bed with glowing embers. With porcelain trim, the concealed ribbon burner provides an elegantly modern flame.

### High Efficiency

Models	P4.1		AFUE	
	NG	LP	NG	LP
30FID-S	79%	80%	71%	73%
30FID-L	78%	79%	71%	73%
34FID-S	81%	82%	71%	71%
34FID-L	77%	79%	70%	71%

### Serviceability

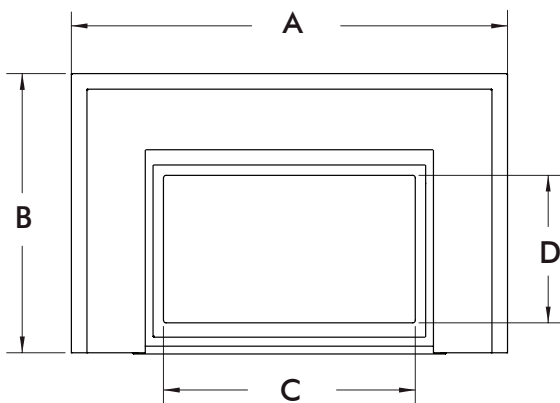
Created with serviceability in mind. All routine service items can be preformed with easy access to the control system and without the use of specialty tools.

### Our Guarantee

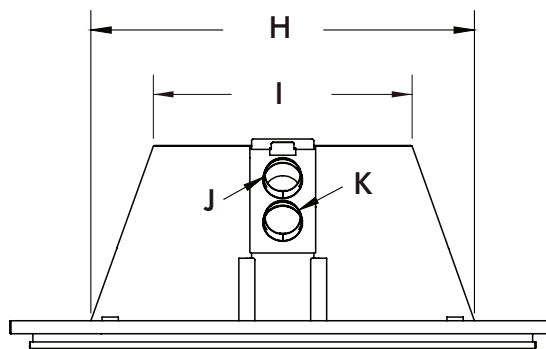
Rest assured our uncompromising quality and long-term reliability is backed by our 10-year limited warranty.

### Unit Specs

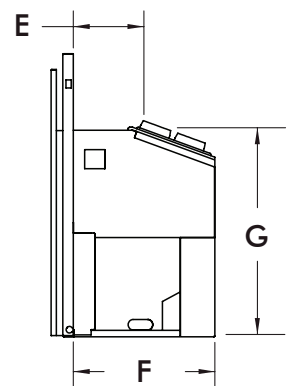
	BTUs		Unit Dimensions										
	NG	LP	A	B	C	D	E	F	G	H	I	J	K
30FID	24,000	23,000	42"	26 <sup>7</sup> / <sub>8</sub> "	24 <sup>1</sup> / <sub>4</sub> "	14 <sup>1</sup> / <sub>4</sub> "	6 <sup>3</sup> / <sub>4</sub> "	13 <sup>1</sup> / <sub>2</sub> "	20"	29 <sup>1</sup> / <sub>2</sub> "	19 <sup>7</sup> / <sub>8</sub> "	3"	3"
34FID	31,000	30,000	46 <sup>1</sup> / <sub>2</sub> "	31"	28"	17 <sup>1</sup> / <sub>2</sub> "	6 <sup>3</sup> / <sub>4</sub> "	15"	23 <sup>3</sup> / <sub>4</sub> "	33 <sup>1</sup> / <sub>2</sub> "	23 <sup>7</sup> / <sub>8</sub> "	3"	4"



Front View



Top View



Side View

## Styling Options

### Linear Model

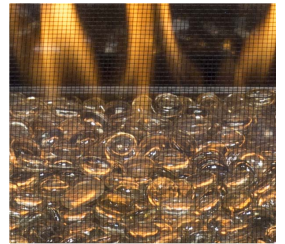
- Concealed ribbon burner
- Porcelain panels and media tray



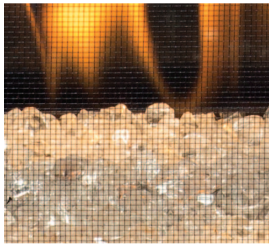
Speckled Stones +  
Drift Wood Log Set



Firestones



Fireglass



Speckled Stones



### Traditional Model

- Choice of glossy porcelain panels or brick lining available in red or brown
- High definition cast fibre log set ceramic burner
- Accent lighting



30FID-S with Rustic  
Brown Brick Lining



34FID-S with Rustic  
Red Brick Lining



## Features

---

- Highly efficient firebox design
- Choice of satin black surrounds
- Direct Vent utilizing co-linear venting
- Tool free access to the control system
- Accent lighting
- Hidden pilot design
- Integrated barrier safety screen
- Multiple styling options
- Remote control operation
- Optional high output variable fans

