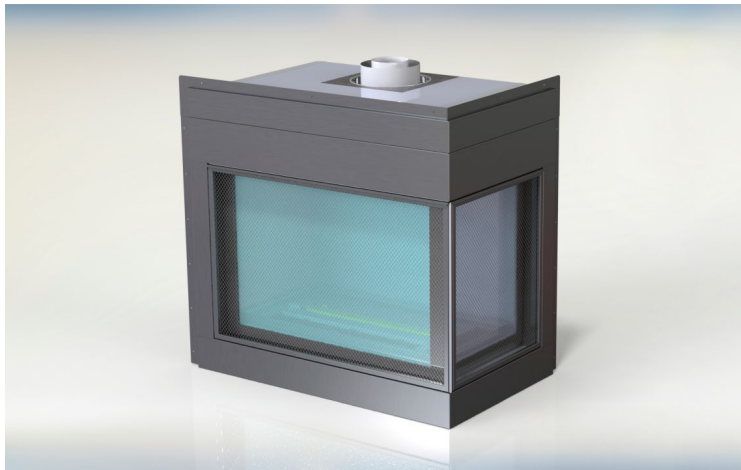


# Installation & Maintenance Manual



H38DF-CLCR  
HL38DF-CLCR  
HP38DF-CLCR

Indoor  
Corner Unit  
Residential  
Gas Fireplace


## DANGER

Read and understand this manual. Improper installation, adjustment, alteration, service or maintenance can cause serious injury, property damage or even death. For assistance or additional information consult a qualified installer, service agency or the gas supplier.

## WARNING

Do not store or use gasoline or any other flammable vapors and liquids in the vicinity of this or any other gas burning appliance. A fire or explosion may occur causing serious injury, property damage or even death.

### DANGER



**HOT GLASS WILL CAUSE BURNS.  
DO NOT TOUCH GLASS UNTIL COOLED.  
NEVER ALLOW CHILDREN TO TOUCH GLASS.**





A barrier designed to reduce the risk of burns from the hot viewing glass is provided with this appliance and shall be installed for the protection of children and other at-risk individuals.

## NOTICE

**Installer:** Leave this manual with the appliance. Do not remove.  
**Consumer:** Retain this manual for maintenance and future reference. Do not Discard.

## DANGER

### IF YOU SMELL GAS

-  Do not try to light any appliance.
-  Do not touch any electrical switch; do not use any phone in your building.
-  Immediately call your gas supplier from a neighbor's phone. Follow the gas supplier's instructions.
-  If you cannot reach your gas supplier, call the fire department.



# NOTICE

You must read and understand this manual prior to installation, operation or troubleshooting this appliance. Please retain this owner's manual for future reference and maintenance.

## Table of Contents

Instruction Manual Contents		
<b>Safety Alerts</b> .....	<b>3</b>	
<b>Introduction</b> .....	<b>3</b>	
Section A: Before You Start .....	4	
Rating Plate Sample - H38DF-CLCR .....	5	
Rating Plate Sample - HL38DF-CLCR .....	6	
<b>Section 1: Installation Overview and Product Dimensions</b> .....	<b>7</b>	
<b>Section 2: Framing the Fireplace</b> .....	<b>8</b>	
Clearances .....	9	
<b>Section 3: The Direct Vent System</b> .....	<b>10</b>	
<b>Section 3-1: Converting to Top Vent / Rear Vent</b> .....	<b>10</b>	
<b>Section 3-2: Installing a Roof Mounted Direct Vent Termination (PVTk-1)</b> .....	<b>11</b>	
Section 3-2-1: Venting Layout .....	11	
<b>Section 3-3: Installing a Wall Mounted Direct Vent Termination</b> .....	<b>13</b>	
Section 3-3-1: Venting Layout .....	14	
Section 3-3-2: Venting Components .....	17	
Section 3-3-3: Heat Shields .....	18	
<b>Section 4: Wiring</b> .....	<b>19</b>	
<b>Section 5: Installing the Gas Line</b> .....	<b>20</b>	
Section 5-1: Fuel Conversion .....	20	
Section 5-2: Gas Pressure .....	20	
Section 5-3: Gas Connection .....	20	
<b>Section 6: Finishing</b> .....	<b>21</b>	
<b>Section 7: Screen Installation and Removal</b> .....	<b>22</b>	
<b>Section 8: Removing the Door</b> .....	<b>23</b>	
<b>Section 9: Installing the Accessories</b> .....	<b>25</b>	
<b>Installing the H38C* Logset</b> .....	<b>25</b>	
Installing the HP38C* Logs and Embers .....	26	
Installing Firestones in Natural Gas and Propane Fireplaces .....	27	
<b>Operation</b> .....	<b>28</b>	
SIT Proflame 2 Electronic Ignition .....	28	
Standing (Continuous) Pilot Ignition (SIT NOVA 820) .....	29	
Honeywell Electronic Ignition .....	30	
<b>Maintenance</b> .....	<b>31</b>	
Lighting Instructions .....	31	
Cleaning .....	31	
Hi-Lo Burner Adjustment: (SIT Nova 820) .....	31	
Pilot Burner Adjustment .....	31	
<b>Troubleshooting:</b> .....	<b>32</b>	
<b>Replacement Parts:</b> .....	<b>33</b>	
Replacement Parts - Part Codes Diagrams: .....	34	
<b>Appendix A: Venting Terminations</b> .....	<b>35</b>	
<b>Appendix B: Warranty</b> .....	<b>36</b>	
<b>Appendix C: State of Massachusetts</b> .....	<b>37</b>	

# Safety Alert Key



## DANGER

Indicates a hazardous situation which, if not avoided, WILL result in death or serious injury or property damage.



## WARNING

Indicates a hazardous situation which, if not avoided, COULD result in death or serious injury or property damage.



## CAUTION

Indicates a hazardous situation which, if not avoided, WILL result in minor or moderate injury.

## NOTICE

Address practices that are important, but not related to personal injury

# Introduction

## Introduction

Congratulations on your purchase of a **Montigo Fireplace**.

With over 30 years of experience, Montigo is committed to providing you with a gas fireplace that is not only a beautiful addition to your space, but that is also designed and manufactured to the highest safety, reliability and engineering standards.

We strongly encourage you to read and carefully follow the instructions laid out in this Installation, Operation and Maintenance Manual and retain it for your future reference. Pay special attention to all cautions, warnings, and notices throughout this manual intended to ensure your safety.

This manual covers installation, operation and maintenance. Lighting, operation and care of this fireplace can be easily performed by the homeowner. All installation and service work should be performed by a qualified or licensed installer, plumber or gas fitter as certified by the state, province, region or governing body where the fireplace is being installed.

This installation, operation and maintenance manual is applicable to the models described below. Refer to your rating plate to verify included options. Throughout this manual instructions are applicable to all models designated as **H\*38C\*** unless otherwise noted in the Table.

### Warranty Information: (See Appendix B)

The Montigo warranty will be **VOIDED** by, and Montigo disclaims any responsibility for the following actions:

- ▶ Modification of the fireplace and/or components including Direct-Vent assembly or glass doors.
- ▶ Use of any component part not manufactured or approved by Montigo in combination with this Montigo fireplace system.
- ▶ Installation other than as instructed in this manual.

Consult your local Gas Inspection Branch on installation requirements for factory-built gas fireplaces. Installation & repairs should be done by a qualified contractor.

MODEL	Natural Gas	Liquid Propane	Gas Rating (BTU/hr)	Traditional Burner / Logset	Premium Burner w/ Logset	Linear Burner w/ Glass media Accessories	Standing Pilot Ignition	Honeywell HSI Ignition	SIT Electronic Ignition
H38DF-CLN	X		34,000	X			X		
H38DF-CRN	X		34,000	X			X		
H38DF-CLN-F	X		34,000	X					X
H38DF-CRN-F	X		34,000	X					X
H38DF-CLL		X	32,000	X			X		
H38DF-CRL		X	32,000	X			X		
H38DF-CLL-F		X	32,000	X					X
H38DF-CRL-F		X	32,000	X					X
HL38DF-CLN-F	X		34,000			X			X
HL38DF-CRN-F	X		34,000			X			X
HL38DF-CLL-F		X	32,000			X			X
HL38DF-CRL-F		X	32,000			X			X
HP38DF-CLN-F	X		34,000		X				X
HP38DF-CRN-F	X		34,000		X				X
HP38DF-CLL-F		X	32,000		X				X
HP38DF-CRL-F		X	32,000		X				X



## CAUTION

Young children should be carefully supervised when they are in the same room as the appliance. Toddlers, young children and others may be susceptible to accidental contact burns. A physical barrier is recommended if there are at risk individuals in the house. To restrict access to a fireplace or stove, install an adjustable safety gate to keep toddlers, young children and other at risk individuals out of the room and away from hot surfaces.



# Installation

## Section A: Before You Start

### IMPORTANT MESSAGE: SAVE THESE INSTRUCTIONS

The H\*38C\* Direct Vent fireplace must be installed in accordance with these Instructions. Carefully read all the Instructions in this manual first. Consult the Local Gas Branch to determine the need for a permit prior to starting the installation. It is the responsibility of the installer to ensure this fireplace is installed in compliance with the manufacturers instructions and all applicable codes.

### BEFORE YOU START:

## NOTICE

Installation and repairs should be done by an authorized gas fireplace service technician. The appliance should be inspected before use and at least annually by a professional. More frequent cleaning may be required due to excessive lint from carpeting, bedding material, etc. It is imperative that control compartments, burners and circulating air passageways of the fireplace are kept clean.



## CAUTION

Due to high operating temperatures, this appliance should be located out of traffic & away from furniture and draperies.

Children and adults should be alerted to the hazards of the high surface temperature, which could cause burns or clothing ignition.

Young children should be carefully supervised when they are in the same room as the appliance.

Clothing or other flammable materials should not be placed on or near the appliance.



## DANGER

When this appliance is installed directly on any combustible material other than wood flooring, it must be installed on a metal or wood panel extending the full width and depth of the appliance or a fire will occur causing serious injury, property damage or even death.

### Installation Checklist

- Determine the desired install location of your fireplace.
- See **Section 1, Dimensions on Page 5**, and refer to the Framing Section 2 for details.
- Select the location of your termination and resulting vent run.
- **Your selected termination location must be the highest point in the Direct Vent installation.**
- Should it be impossible to meet the venting requirements laid out in **Section 3: Venting**, please contact your local Montigo dealer regarding the use of a Montigo Power Vent.
- Lay out the Vent run; calculating the required elbows and straight runs of 5"/8" flex and/or rigid pipe.
- Layout Electrical Requirements Refer to **Section 4: Wiring for Details.**
- Refer to **Section 5: Installing the Gas Line** for details on the gas connection and access.
- Refer to local codes and guidelines for installation requirements.
- Installation and repairs should be done by a qualified contractor and must conform to:

- **Installations in Canada** must conform to the local codes or in the absence of local codes to the current version of Natural Gas and Propane Installation Code, CSA B149. Electrical Installations must conform to the local codes or, in the absence of local codes, to the current version of Canadian Electrical Code, CSA C22.1.1

- **Installations in the USA** must conform to the local codes or in the absence of local codes to the current version of National Fuel Gas Code, ANSI Z223.1/NFPA 54. Electrical Installations must conform to the local codes or, in the absence of local codes, to the current version of the National Electrical Code, ANSI/NFPA 70. See **Appendix C** for installation within the State of Massachusetts.

## WARNING

A barrier designed to reduce the risk of burns from hot viewing glass is provided with this appliance and shall be installed for the protection of children and other at-risk individuals.

If the barrier becomes damaged, the barrier shall be replaced with the manufacturer's barrier for this appliance.




## WARNING

Any safety screen, guard, or barrier removed for servicing an appliance must be replaced prior to operating the appliance.



# Installation

Rating Plate Sample - H38DF-CLCR

**Type:** Vented Gas Fireplace Heater

**Model No. Modèle:** H38DF-CLCR

**Serial No.:** 2-150127-000000

**Manufacturer / Fabricant:** Canadian Heating Products Inc., Langley BC, www.montigo.com  
Montigo DelRay Corp., Ferndale, WA, www.montigo.com

**Tested To / Examiné À:** ANSI Z21.88-2014 / CSA 2.33-2014

**Electrical Rating / Estimation Électrique:** With Elec. Ign. 115V / 1 Ph, / 60 Hz / less than 12A

**Altitude Rating / Estimation D'Altitude:** N & H (0 - 4500 ft. / 0 - 1371 m).

**Fuel Type / Type De Carburant:**

N - Natural Gas / Gaz Naturel

LP - Propane / Gaz Propane

**Type:** Vented Gas Fireplace Heater

**Model No. Modèle:** H38DF-CLCR

**Serial No.:** 2-150127-000000

**Manufacturer / Fabricant:** Canadian Heating Products Inc., Langley BC, www.montigo.com  
Montigo DelRay Corp., Ferndale, WA, www.montigo.com

**Tested To / Examiné À:** ANSI Z21.88-2014 / CSA 2.33-2014

**Electrical Rating / Estimation Électrique:** With Elec. Ign. 115V / 1 Ph, / 60 Hz / less than 12A

**Altitude Rating / Estimation D'Altitude:** N & H (0 - 4500 ft. / 0 - 1371 m).

**Fuel Type / Type De Carburant:**

N - Natural Gas / Gaz Naturel

LP - Propane / Gaz Propane

**Type:** For Indoor Use Only

**Model No. Modèle:** H38DF-CLR

**Serial No.:** 2-150127-000000

**Manufacturer / Fabricant:** Canadian Heating Products Inc., Langley BC, www.montigo.com  
Montigo DelRay Corp., Ferndale, WA, www.montigo.com

**Tested To / Examiné À:** ANSI Z21.88-2014 / CSA 2.33-2014

**Electrical Rating / Estimation Électrique:** With Elec. Ign. 115V / 1 Ph, / 60 Hz / less than 12A

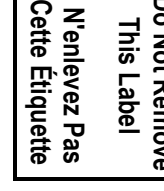


**Altitude Rating / Estimation D'Altitude:** N & H (0 - 4500 ft. / 0 - 1371 m).

**Fuel Type / Type De Carburant:**

N - Natural Gas / Gaz Naturel

LP - Propane / Gaz Propane

**FOR USE WITH GLASS DOORS AND SCREENS CERTIFIED WITH THE APPLIANCE ONLY**  
Pour utilisation avec portes de verre and écrans de certifiés avec l'appareil seulement

**Type:** Vented Gas Fireplace Heater

**Model No. Modèle:** H38DF-CLCR

**Serial No.:** 2-150127-000000

**Manufacturer / Fabricant:** Canadian Heating Products Inc., Langley BC, (www.montigo.com)  
Montigo DelRay Corp., Ferndale, WA, (www.montigo.com)

**Tested To / Examiné À:** ANSI Z21.88-2014 / CSA 2.33-2014

**Electrical Rating / Estimation Électrique:** With Elec. Ign. 115V / 1 Ph, / 60 Hz / less than 12A

**Altitude Rating / Estimation D'Altitude:** N & H (0 - 4500 ft. / 0 - 1371 m).

**Fuel Type / Type De Carburant:**

N - Natural Gas / Gaz Naturel

LP - Propane / Gaz Propane

**Type:** For Indoor Use Only

**Model No. Modèle:** H38DF-CLR

**Serial No.:** 2-150127-000000

**Manufacturer / Fabricant:** Canadian Heating Products Inc., Langley BC, www.montigo.com  
Montigo DelRay Corp., Ferndale, WA, www.montigo.com

**Tested To / Examiné À:** ANSI Z21.88-2014 / CSA 2.33-2014

**Electrical Rating / Estimation Électrique:** With Elec. Ign. 115V / 1 Ph, / 60 Hz / less than 12A

**Altitude Rating / Estimation D'Altitude:** N & H (0 - 4500 ft. / 0 - 1371 m).

**Fuel Type / Type De Carburant:**

N - Natural Gas / Gaz Naturel

LP - Propane / Gaz Propane

**FOR USE WITH GLASS DOORS AND SCREENS CERTIFIED WITH THE APPLIANCE ONLY**  
Pour utilisation avec portes de verre and écrans de certifiés avec l'appareil seulement

**FOR USE WITH GLASS DOORS AND SCREENS CERTIFIED WITH THE APPLIANCE ONLY**  
Pour utilisation avec portes de verre and écrans de certifiés avec l'appareil seulement

Figure A: Rating Plate for standing pilot (SIT)

Figure B: Rating Plate for IPI electronic ignition

# Installation



## Rating Plate Sample - HL38DF-CLCR

**Do Not Remove This Label**  
N'enlevez Pas Cette Étiquette



**Type:**  **Vented Gas Fireplace Heater** /  **For Indoor Use Only**

**Model No. / Modèle:** HL38DF-CLR

**Serial No.:** 2-150127-000000

**Manufacturer / Fabricant:** Canadian Heating Products Inc., Langley BC, www.montigo.com  
Montigo DelRay Corp., Ferndale, WA, www.montigo.com

**Tested To / Examiné À:** ANSI Z21.88-2014 / CSA 2.33-2014

**Electrical Rating / Estimation Électrique:** With Elec. Ign. 115V / 1 Ph. / 60 Hz./less than 12A

**Altitude Rating / Estimation D'Altitude:** N & H (0 - 4500 ft. / 0 - 1371 m).

**Fuel Type / Type De Carburant:**

<input checked="" type="checkbox"/> N - Natural Gas / Gaz Naturel	Max. Input / Max. Entrée BTU/H	Min. Input / Min. Entrée BTU/H	Output / Rendement BTU/H	Orifice Size / Taille D'Orifice	Gas Manifold Pressure / Pression D'Admission Du Gaz	Min. Gas Supply Pressure / Min. Pression D'Alimentation Du Gaz
<input type="checkbox"/> LP - Propane / Gaz Propane	34,000	25,000	N/A	2@48dms / N/A	3.5" W.C.	5.5" W.C.
	32,000	25,000	N/A	2@56dms / N/A	10" W.C.	11" W.C.

**\*Refer to installation manual for more information.**  
\*Référez-vous au manuel d'installation pour plus d'information.

**\*Clearance To Combustibles / Dégagements Aux Combustibles**

Sides/Côtés:	5"
Back/Derrière:	1"
Top-Top Vent/Du Haut-Évent Du Haut:	13"
Top-Rear Vent/Du Haut-Évent Arrière:	N/A
Floor/Plancher:	0"
Mantel/Manteau:	4"
Recess Depth/ Profondeur D'Encadrement:	24"
Flue:	1"

**FOR USE WITH GLASS DOORS AND SCREENS CERTIFIED WITH THE APPLIANCE ONLY**  
Pour utilisation avec portes de verre and écrans de certifiés avec l'appareil seulement.

**FOR USE WITH GLASS DOORS AND SCREENS CERTIFIED WITH THE APPLIANCE ONLY**  
Pour utilisation avec portes de verre and écrans de certifiés avec l'appareil seulement.

Figure C: Rating Plate for standing pilot (SIT)

**Do Not Remove This Label**  
N'enlevez Pas Cette Étiquette



**Type:**  **Vented Gas Fireplace Heater** /  **For Indoor Use Only**

**Model No. / Modèle:** HL38DF-CLR-F

**Serial No.:** 2-150127-000000

**Manufacturer / Fabricant:** Canadian Heating Products Inc., Langley BC, (www.montigo.com)  
Montigo DelRay Corp., Ferndale, WA, (www.montigo.com)

**Tested To / Examiné À:** ANSI Z21.88-2014 / CSA 2.33-2014

**Electrical Rating / Estimation Électrique:** With Elec. Ign. 115V / 1 Ph. / 60 Hz./less than 12A

**Altitude Rating / Estimation D'Altitude:** N & H (0 - 4500 ft. / 0 - 1371 m).

**Fuel Type / Type De Carburant:**

<input checked="" type="checkbox"/> N - Natural Gas / Gaz Naturel	Max. Input / Max. Entrée BTU/H	Min. Input / Min. Entrée BTU/H	Output / Rendement BTU/H	Orifice Size / Taille D'Orifice	Gas Manifold Pressure / Pression D'Admission Du Gaz	Min. Gas Supply Pressure / Min. Pression D'Alimentation Du Gaz
<input type="checkbox"/> LP - Propane / Gaz Propane	34,000	25,000	N/A	2@48dms / N/A	3.5" W.C.	5.5" W.C.
	32,000	25,000	N/A	2@56dms / N/A	10" W.C.	11" W.C.

**\*Refer to installation manual for more information.**  
\*Référez-vous au manuel d'installation pour plus d'information.

**\*Clearance to Combustibles / Dégagements Aux Combustibles**

Sides/Côtés:	5"
Back/Derrière:	1"
Top-Top Vent/Du Haut-Évent Du Haut:	13"
Top-Rear Vent/Du Haut-Évent Arrière:	N/A
Floor/Plancher:	0"
Mantel/Manteau:	4"
Recess Depth/ Profondeur D'Encadrement:	24"
Flue:	1"

**FOR USE WITH GLASS DOORS AND SCREENS CERTIFIED WITH THE APPLIANCE ONLY**  
Pour utilisation avec portes de verre and écrans de certifiés avec l'appareil seulement.

Figure D: Rating Plate for IPI electronic ignition

# Installation



## Section 1: Installation Overview and Product Dimensions

Please review the Pre-Installation Checklist on **Page 4** for general information on preparing for a successful installation of your fireplace. The **H\*38C\*** fireplace may be installed in any location that maintains proper clearances to air conditioning ducts, electrical wiring and plumbing.

Safety, as well as efficiency of operation, should be considered when selecting the fireplace location. Select a location that does not interfere with room traffic, has adequate ventilation and offers an accessible path for Direct Vent installation.

The fireplace dimensions are shown below:

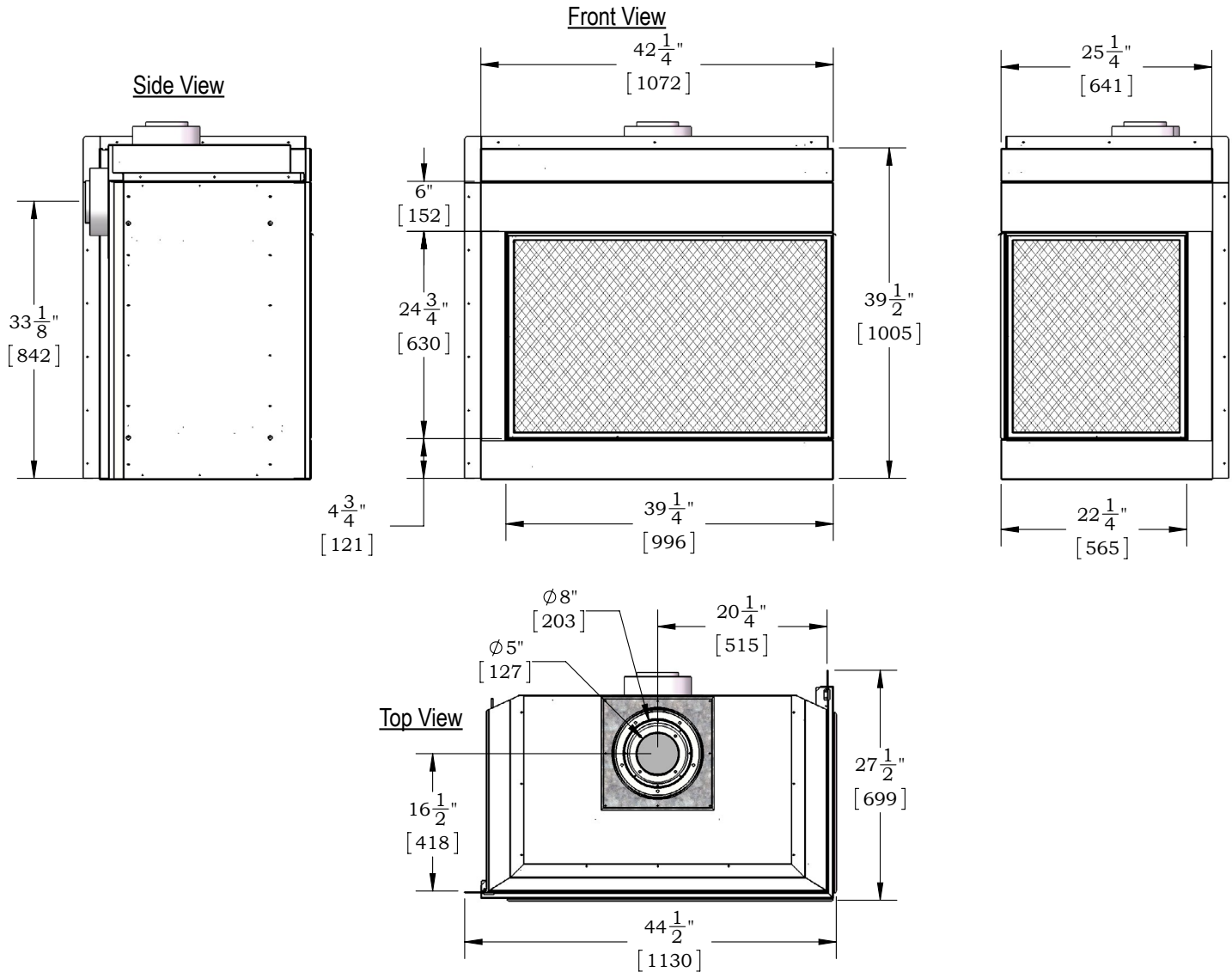


Figure 1. Fireplace dimensions with attached Nailing Flange for Corner Left shown, Fireplace dimensions same for corner right. (Tolerance  $\pm \frac{1}{8}"$ ).

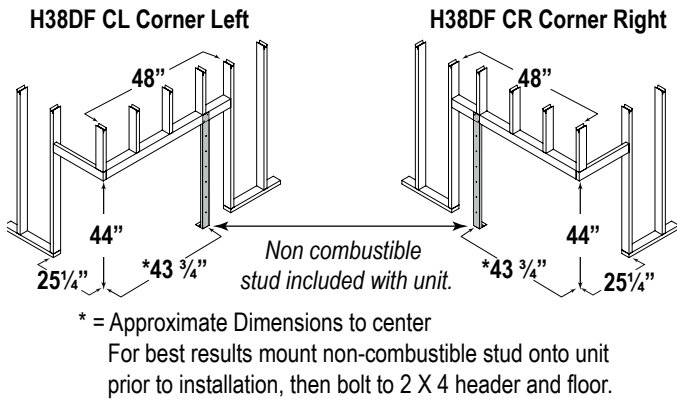


# Installation

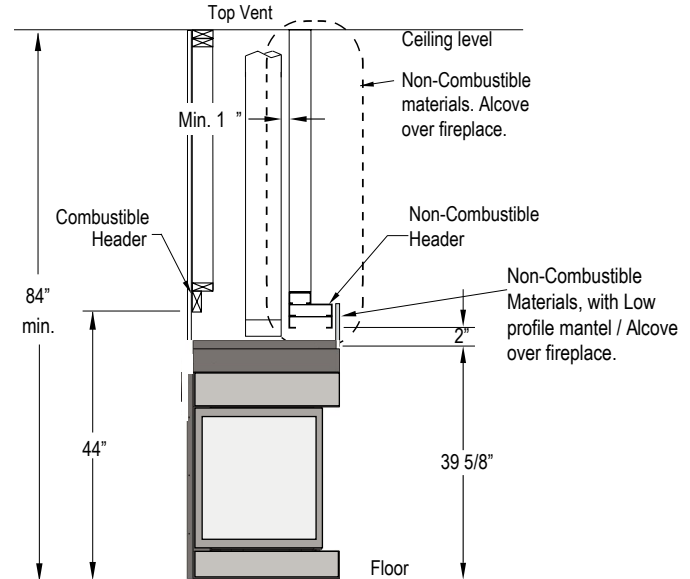
## Section 2: Framing the Fireplace

Frame in the enclosure for the unit with framing materials. The framed opening for the assembled fireplace is 48 " wide, 44 " high, 25 1/4" deep, see **Figure 2**.

**NOTE:** When constructing the framed opening, please ensure there is access to install the gas line when the unit is installed. See **Figure 21**.

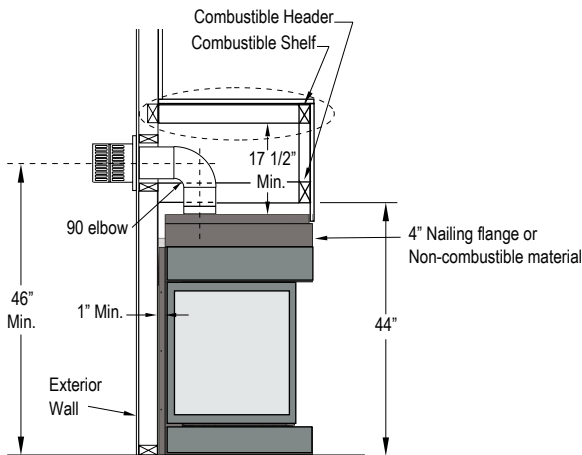


**Figure 2.** Framing dimensions.

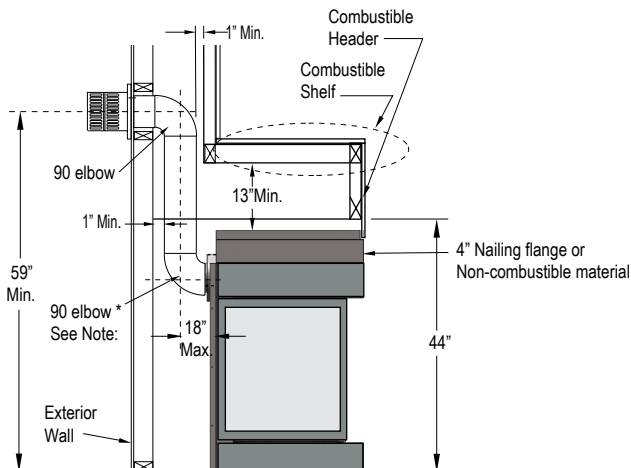


**Figure 5.** Non Combustible Framing with alcove above fireplace, Top Vent.

**Note:** Images are shown without screens for clarity purposes. However, your fireplace should not be operated without proper installation of screens.



**Figure 3.** Combustible Framing for shelves over the unit. Top vent.



**Figure 4.** Combustible Framing for shelves over the fireplace, Rear vent.



# Installation



## Clearances

When installing a shelf over the top of the fireplaces, the following guidelines must be adhered to:

For **Rear Vent** applications, the minimum clearance is 1" from the rear of the fireplace to a wall, or any combustible materials, and 13" clearance from the top of the fireplace to the underside of any combustible shelf materials.

For **Top Vent** applications, the minimum clearance is 1" from the rear of the fireplace to a wall, or any combustible materials, and 17 1/2" to the underside of any combustible shelf materials.

1" clearance is maintained on sides and bottom of vent runs and 2" above horizontal vent runs to any combustible material.

MODEL	Top - Rear Vent †	Top - Top Vent †	Header	Side (Solid side)	Floor	Back	Venting - Top	Venting - Sides, bottom	Mantle
H*38C*	13"	17 1/2"	4"	5"	0"	1"	2"	1"	**

† **Note:** Clearance from top of fireplace to a ceiling within the fireplace enclosure.

\*\* **Note:** For mantel clearance, please refer to **Section 6: Finishing** on page 21.

## Installing The Standoffs

To avoid elevated mantel temperatures, all H\*38C\* gas fireplaces are required to have the supplied standoffs installed. The fireplace is supplied with two standoffs. Bend and install these standoffs on top of the fireplace as shown in **Figure 6**, ensuring that the height of the standoff maintains a 4" clearance from the top of the unit to the 1st combustible stud.

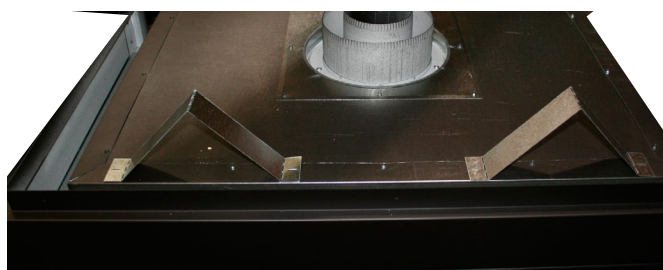
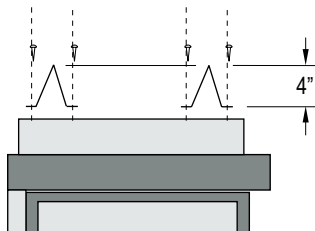


Figure 6. Installing the H\*38C\* standoffs.

## Nailing Flange Extension

The 4" nailing flange extension is shipped attached to the top edge of the fireplace, see **Figure 1**.

The nailing flange extension may be substituted with a piece of **NON-Combustible** material of the same thermal characteristics, ie: cement board or equivalent to fit the opening. This is recommended in applications where the facing materials will not adhere to the metal nailing flange. To remove the Nailing Flange Extension follow the directions below:



Figure 7. Remove screws from top of the unit



Figure 7a. Remove shell and insulation from the top of unit. Remove screws from outer edge.

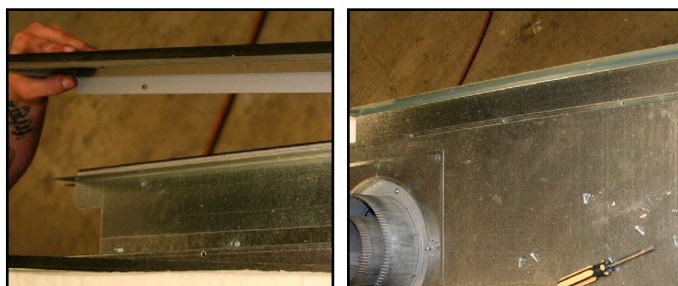


Figure 7b. Remove the nailing flange extension from the unit. Reinstall shell and insulation. Screw shell in place.

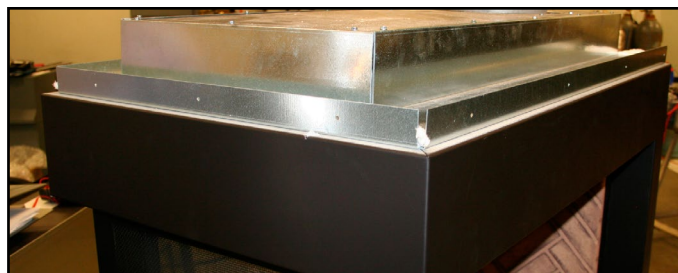


Figure 7c. Finished removing Nailing Flange extension.



# Installation

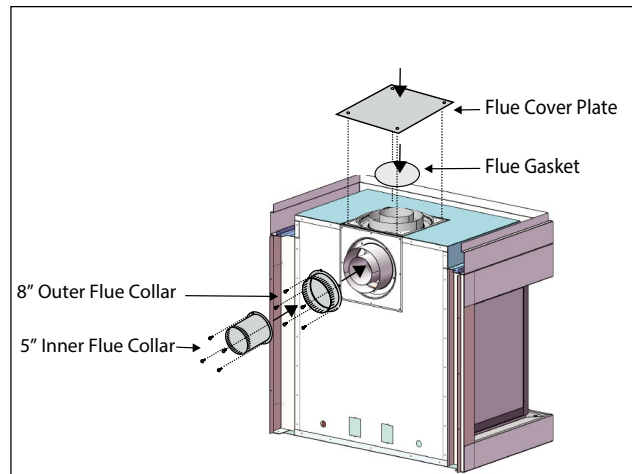
## Section: 3 The Direct Vent System

Montigo supplies a variety of direct venting and termination options. **The direct vent termination location MUST be selected such that it is the highest point in the venting assembly.** It should also be selected such that it provides the shortest vent run possible. Should it be impossible to ensure that the termination is the highest point or should it be impossible to meet the venting guidelines laid out below please contact your Montigo dealer to discuss power venting options.

### NOTES FOR PLANNING VENTING:

- Venting originates from the unit through the top or through the rear
- Venting can terminate through the roof or through an exterior wall.
- Refer to Appendix A - Termination Locations to ensure the planned termination location is acceptable.
- Once the termination location has been established, refer to the appropriate section below for installation details
- All fireplaces shipped from the factory are *Top vent*.
- Silicone application is **NOT** required when joining Montigo vent pipes and components.

3. Install the (removed) Rear flue cover and gasket material, to the Top vent outlet. Fasten the cover with included hardware, as illustrated **Figure 8a**.
4. Install the (5" and 8") collars to the rear vent outlet using the included hardware, as illustrated **Figure 8a**.



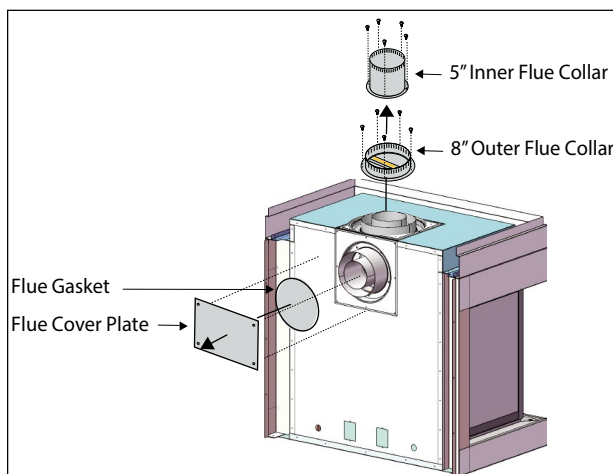
**Figure 8a.** Flue cover and collar installation, Rear Vented fireplace.

### Section 3-1: Converting to Top Vent / Rear Vent

Use the following instructions to convert an H\*38C\* for Rear Vent use:

1. Remove the Rear flue cover and gasket (5" and 8") on the flue outlet, as shown in **Figure 8**.
2. Next, Remove the Top flue collar's (5" and 8") on the flue outlet, as shown in **Figure 8**.

**Note:** Images are shown without screens for clarity purposes. However, your fireplace should not be operated without proper installation of screens.



**Figure 8.** Flue cover and collar removal, Top Vented fireplace.

# Installation



## Section 3-2: Installing a Roof Mounted Direct Vent Termination (PVTK-1)

This section applies to installations where the direct vent termination will be roof mounted.

### Section 3-2-1: Venting Layout

Selection of components and details of venting lay out should adhere to the following guidelines:

- The maximum termination point is 32' above the fireplace (NOTE: if the maximum termination height is used, the flame pattern may be affected).
- The Vertical termination must be a minimum 2' higher than where the termination exits the roofing materials, (asphalt shingles, cedar shakes, etc). This distance should be measured from the high side of the roof slope where the flue flashing intersects the roofing materials. (see **Figures 9 to 9c**).
- Termination location must be a minimum 6' from a mechanical air inlet.
- Termination location must be a minimum 18" from a parapet wall.
- For a more detailed diagram of allowed termination locations, see **Appendix A**.
- A maximum of two offsets (each offset is made up of 2-90° bends) may be made for vertical vent runs.
- Firestops must be installed as required by National & local codes
- Ensure all horizontal runs are supported with a minimum of 3 supports per 10' of venting.
- Install all roof flashing and storm collars as shown.

### Roof mounted Terminations

The following details are some possible configurations for Roof mounted terminations.

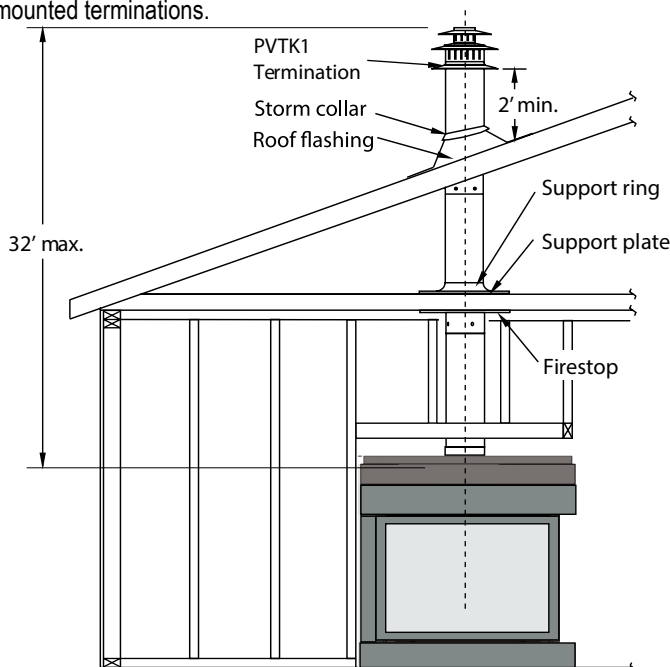


Figure 9. Top vent, Roof mounted termination with no offset in vent run.

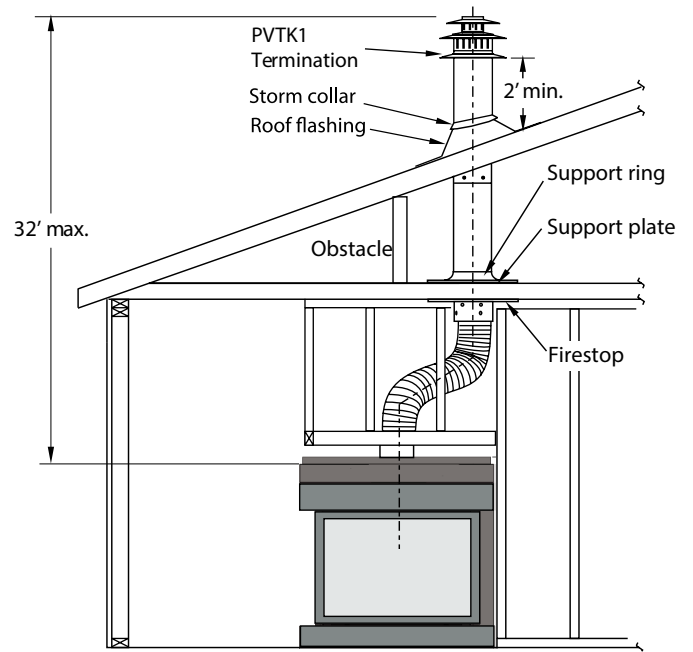


Figure 9a. Top vent, Roof mounted with 1 offset (1 offset= two 90° bends).

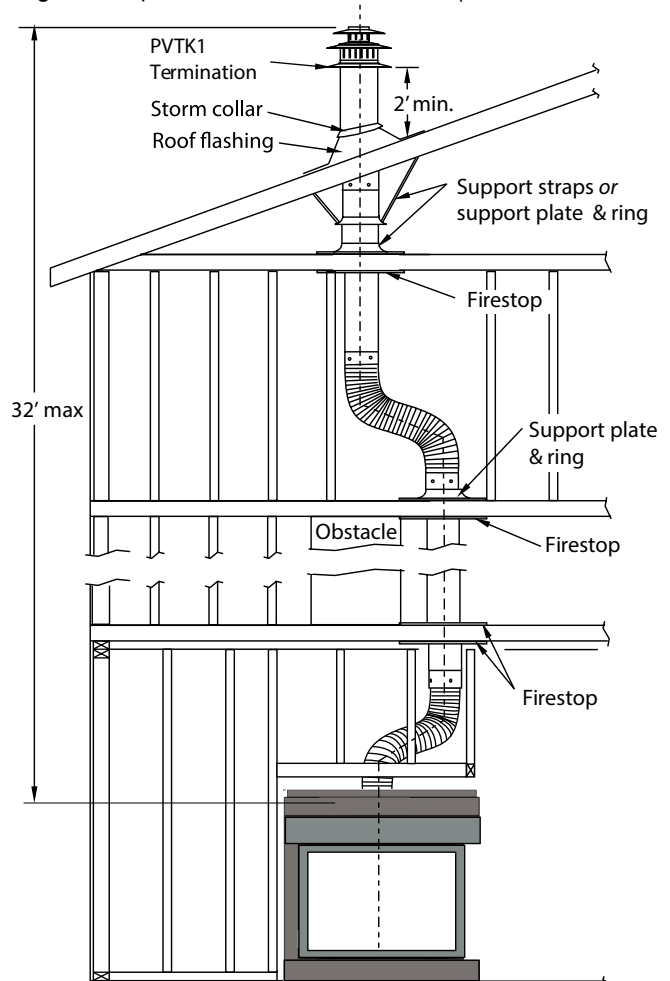
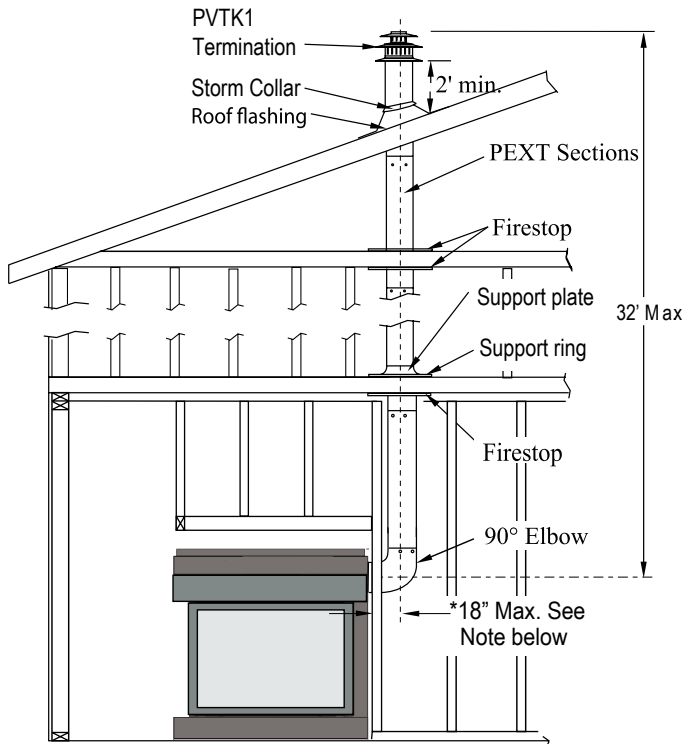


Figure 9b. Top vent, Roof mounted with 2 offsets (1 offset= two 90° bends).



# Installation



**Figure 9c.** Rear vent, Roof mounted venting (1 = 90° bend).

**\* Note:** Elbow must be installed directly off the back of the fireplace. If additional horizontal distance is required the vent run must be increased a 2:1 Horizontal to Vertical ratio. See vent graph, **Figure 12 or 13** for rear vented, wall mounted terminations

**Note:** Images are shown without screens for clarity purposes. However, your fireplace should not be operated without proper installation of screens.

# Installation



## Section 3-3: Installing a Wall Mounted Direct Vent Termination

This section applies to installations where the direct vent termination will be wall mounted.

### 1). Installation of Termination with built in frame

A Termination with a Built-In Frame is installed during framing of a structure.

1. Frame the termination opening to 11" x 11".
2. Install exterior sheathing to the structure framing.
3. Fasten the termination to the sheathing using a minimum of 4 screws.

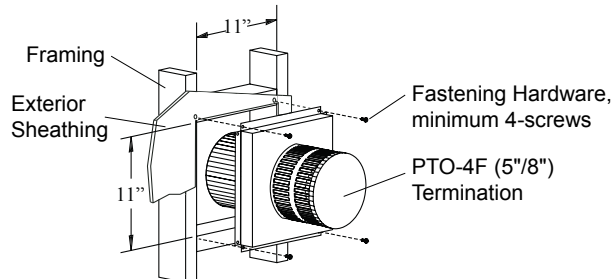


Figure 10. Installing a PTO-F termination.

### 2). Installation of termination frame at time of framing

Terminations with a MSR frame allow the installation of the frame prior to installation of the termination.

1. Frame the termination opening to 12" x 12".
2. Secure the MSR Frame to the exterior sheathing of the structure.
3. Fasten the termination to the MSR Frame using a minimum of 4 screws.

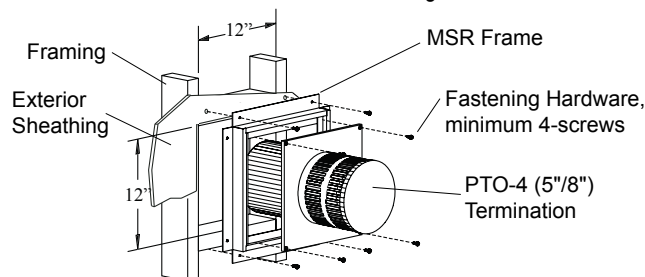


Figure 10a. Installing a PTO termination with the MSR frame.

### 3). Installation of termination frame at time of framing in Masonry

Terminations with a BSR frame allow the installation of the frame in masonry prior to the installation of the termination

1. Frame the BSR opening to 12" x 12".
2. Secure the BSR Frame to the exterior sheathing of the structure.

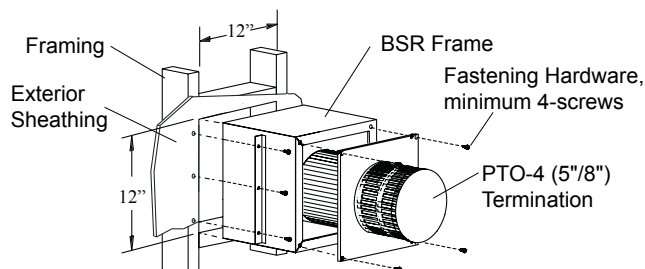


Figure 10b. Installing a PTO termination with the BSR frame.

### 4). Installation of termination from inside structure

A Termination with a MOSR Frame is installed from the inside of the structure. These are commonly used in high-rise construction.

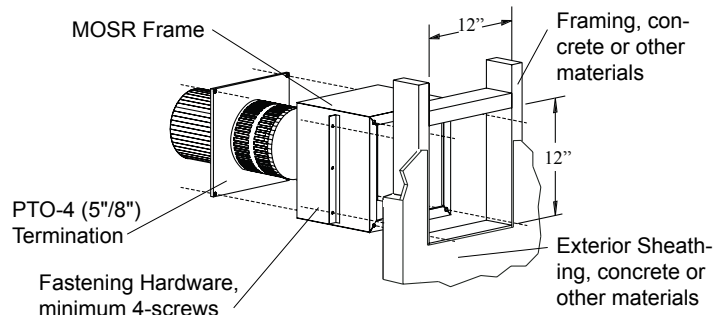


Figure 10c. Installing a PTO termination with the MOSR frame.

1. Frame the MOSR opening to 12" x 12".
2. Fasten the MOSR frame to the interior side of the studs, concrete, or finished wall construction using a minimum of 4 screws.
3. Insert the termination into the MOSR frame as shown here, (*from the inside*) and attach to the MOSR by installing a min. quantity of 4 bolts into the threaded nuts on the MOSR Frame.

### 5). Installation of a termination shield for Vinyl Siding

The VSS Termination shield is installed when the exterior of a structure is clad with Vinyl siding. It is placed directly above, and on-centre with the termination.

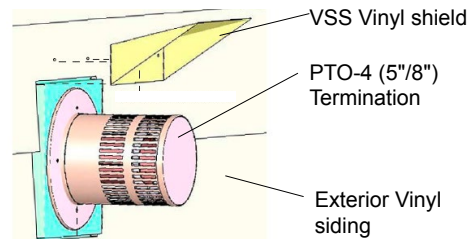


Figure 10d. Installing the VSS Vinyl Shield.

**Installing Heat Guards over Terminations** is recommended in installations where the termination is *located within 7' feet above grade, or above a pedestrian walkway, and may be Required by code in Public areas.*

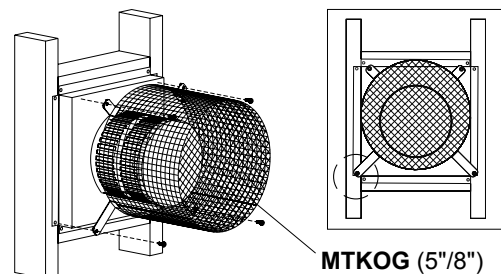


Figure 11. Installing a PTO termination heat guard.

1. Ensure that the two **long** mounting brackets are facing the bottom of the termination. (See inset). This will provide more heat protection at the top of the termination, where temperatures are highest.
2. Attach to the faceplate of the termination using four sheet metal screws.



# Installation

## Section 3-3-1: Venting Layout

Selection of components and details of venting layout should adhere to the following guidelines:

- Vent terminations must **not** be recessed in walls or siding.
- For Heat Shield requirements see **page 16**.
- Once the proposed venting layout has been determined refer to either **Figure 12, 12a, 14, or 14a** to ensure the layout is acceptable.

### Wall Mounted Terminations: TOP VENT

- All dimension lengths for vertical or horizontal runs are measured from center of the vent pipe.
- Venting runs *must* fall within the limits set by the venting graphs, see **Figure 12 or 12a**.

### The Venting Graph

Measure the vertical height from the fireplace hearth to the centre of the termination and the horizontal run from the fireplace flue collar to the wall flange of the termination. Plot on the Venting Graph **Figure 12 or 12a** with an 'X'.

If the 'X' falls on or above the top boundary of the shaded area, the installation is acceptable.

#### Example A: (Acceptable Installation)

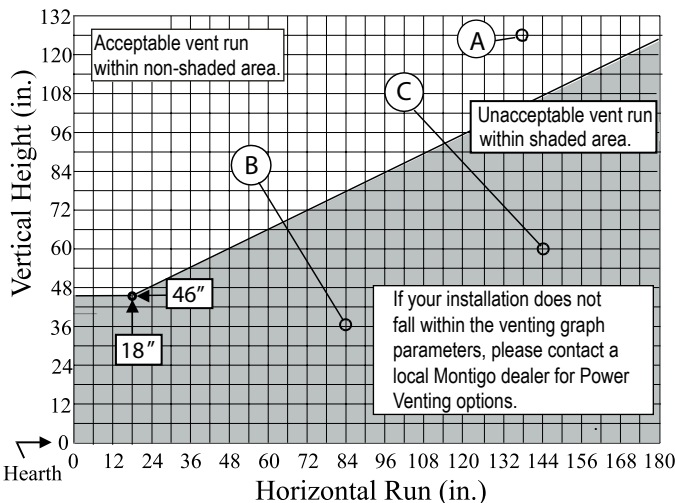
If the vertical dimension from the hearth is 126" and the horizontal run to the wall flange of the vent termination is 138", this would be an acceptable installation.

#### Example B: (Unacceptable Installation)

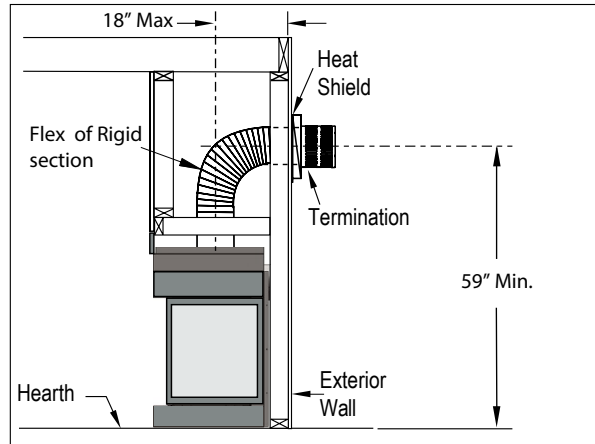
If the vertical dimension from the hearth is 36" and the horizontal run to the wall flange of the vent termination is 84", **this would NOT be an acceptable installation.**

#### Example C: (Unacceptable Installation)

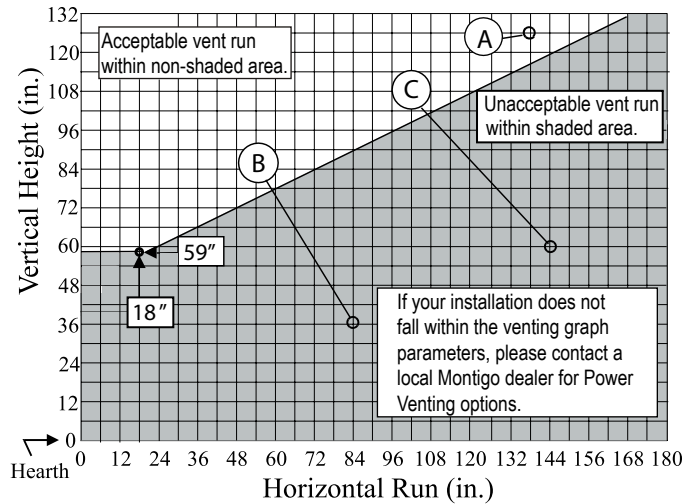
If the vertical dimension from the floor of the fireplace is 60" and the horizontal run to the wall flange of the vent termination is 144", **this would NOT be an acceptable installation.**



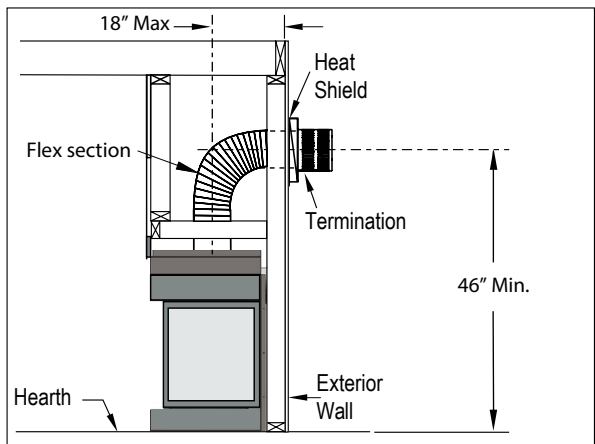
**Figure 12. H38C\* or HL38C\* Top Vent Venting Graph for wall mounted terminations.**



**Figure 12a. HP38C\* Top Vented, wall mounted installation with one 90° bend. The vent run must comply with Venting Graph for Top vent, wall mounted terminations, Figure 12a.**

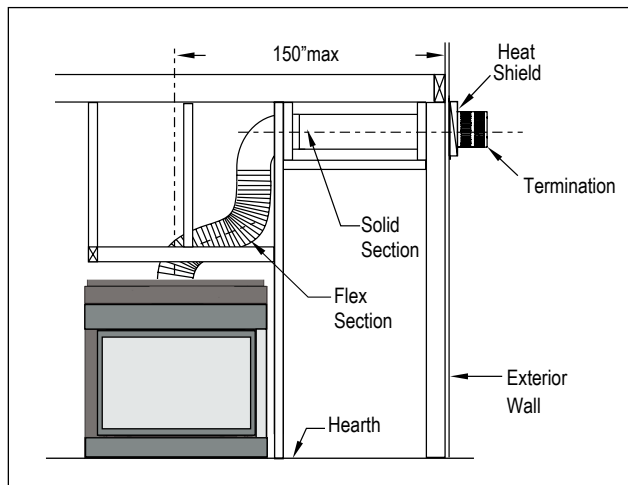


**Figure 13. HP38C\* Top Vent Venting Graph for wall mounted terminations.**



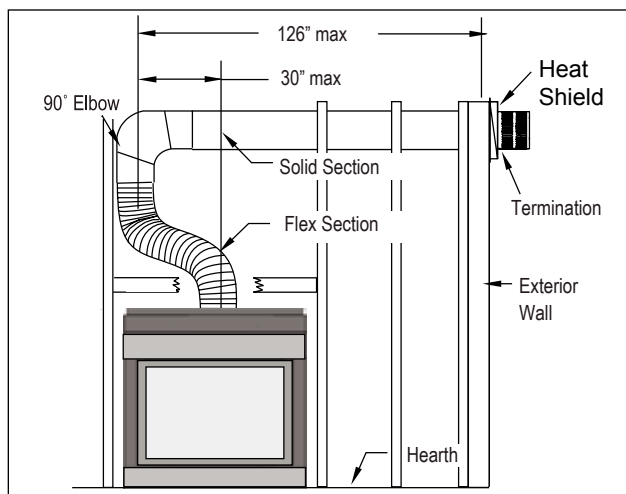
**Figure 13a. H38C\* or HL38C\* Top Vented, wall mounted installation with one 90° bend. The vent run must comply with Venting Graph for Top vent, wall mounted terminations, Figure 12.**

# Installation



**Note:** Images are shown without screens for clarity purposes. However, your fireplace should not be operated without proper installation of screens.

**Figure 13b.** H38C\*, HL38C\* or HP38C\* Top Vented, wall mounted Multi-elbow installation. See Venting Graph for Top vent, wall mounted terminations, **Figure 12 or 12a.**



**Figure 13c.** H38C\*, HL38C\* or HP38C\* Top Vented, wall mounted Retracted Multi-elbow installation. See Venting Graph for Top vent, wall mounted terminations, **Figure 12 or 12a.**



# Installation

## Wall Mounted Terminations: REAR VENT

**NOTE: REAR VENT APPLICATIONS MUST HAVE A 59" VERTICAL RISE. THEY CANNOT TERMINATE STRAIGHT THROUGH THE WALL, see figure 14 or 14a.**

- All dimension lengths for vertical or horizontal runs are measured from center of the vent pipe.
- Venting runs *must* fall within the limits set by the venting graphs, see **Figure 14 or 14a**.
- Fireplace must be converted to Rear Vent configuration prior to running vent, see **Figure 8 and 8a**.

### The Venting Graph

Measure the vertical height from the fireplace hearth to the centre of the termination and the horizontal run from the fireplace flue collar to the wall flange of the termination. Plot on the Venting Graph **Figure 14 or 14a** with an 'X'.

If the 'X' falls on or above the top boundary of the shaded area, the installation is acceptable.

### Example A: (Acceptable Installation)

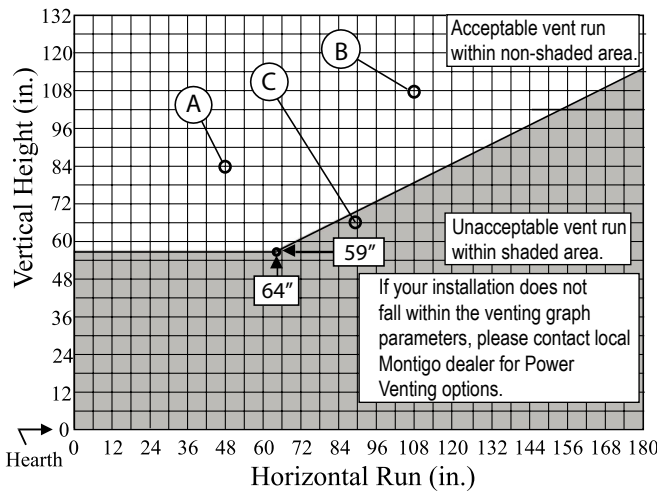
If the vertical dimension from the hearth is 84" and the horizontal run to the wall flange of the vent termination is 48", this would be an acceptable installation.

### Example B: (Acceptable Installation)

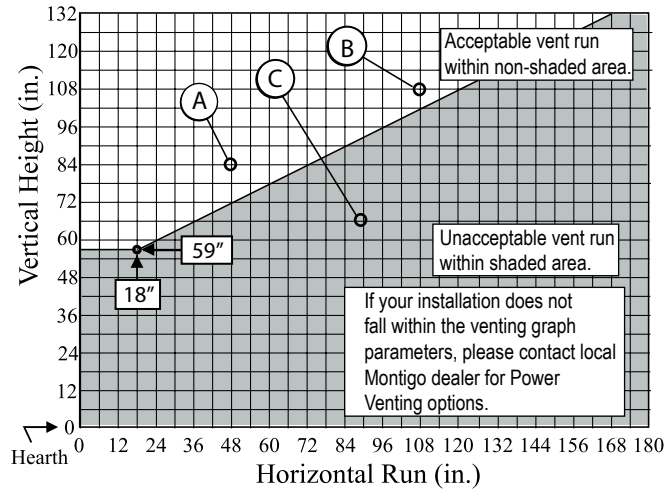
If the vertical dimension from the hearth is 108" and the horizontal run to the wall flange of the vent termination is 108", this would be an acceptable installation.

### Example C: (Unacceptable Installation)

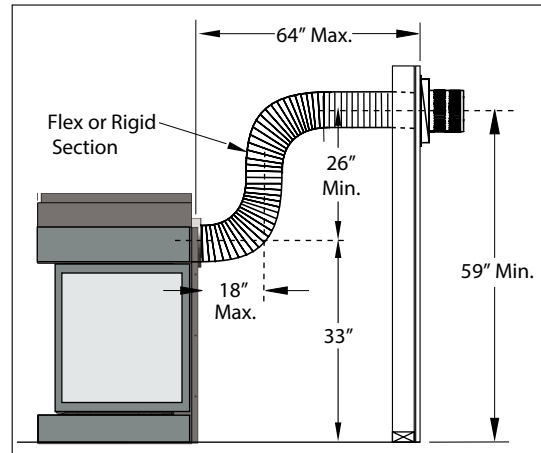
If the vertical dimension from the floor of the fireplace is 66" and the horizontal run to the wall flange of the vent termination is 90", **this would NOT be an acceptable installation.**



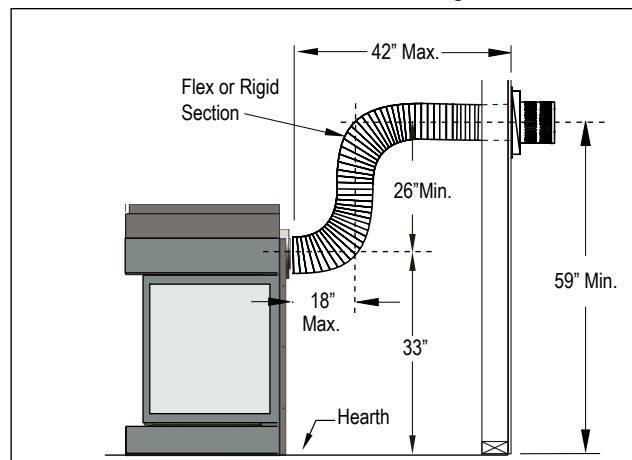
**Figure 14. H38C\* & HL38C\* Rear Vent Venting Graph for wall mounted terminations.**



**Figure 14a. HP38C\* Rear Vent Venting Graph for wall mounted terminations.**



**Figure 15. H38C\* & HL38C\* Rear Vented, wall mounted multi-elbow termination installation. The vent run must comply with the Venting Graph for Rear vent, wall mounted terminations, Figure 14.**



**Figure 15a. HP38C\* Rear Vented, wall mounted Multi-elbow termination installation. The vent run must comply with the Venting Graph for Rear vent, wall mounted terminations, Figure 14a.**



# Installation



## Section 3-3-2: Venting Components

The following components and associated Montigo part numbers are available for installation of a Wall Mounted Termination. Use only Montigo Vent Components. Use of non-Montigo parts will void the warranty and may impede operation of the fireplace.

Connection and installation of the vent components should adhere to the following guidelines:

- Use any combination of rigid and flex pipe as required and in any orientation (Male connectors can face in any direction).
- Flex sections may be stretched up to 50% of their total length (e.g. a 24" section maybe stretched to 36").
- Connect all vent sections using a minimum of three sheet metal screws on the outer pipe flue.
- Ensure the pipe ends male to female slide in a minimum of 1 1/2" of overlap.
- Ensure all horizontal runs are supported with a minimum of 3 supports per 10' of venting.
- When hanging/ supporting venting, ensure that 1" clearance is maintained on sides and bottom of vent runs and 2" above horizontal vent runs to any combustible material.
- Rigid pipe may be cut less than half way from the **female end only**.
- Ensure when cutting sections of rigid pipe to maintain integrity of internal supports.
- Place the springs, supplied with the pipe kit, between the outer and inner pipes to keep the pipes separate and avoid any possible hot spots.
- Montigo recommends the use of a flex section for the final pipe connected directly to the fireplace offering greater flexibility of installation and absorption of movement.
- Firestops must be installed as required by National & local codes.
- Montigo recommends that all exterior corners and joints be sealed with exterior caulking. However, we encourage you to consult your Building Envelope Engineer or Waterproofing Consultant for further recommendations.

A - Termination	PTO4 (3" Length) PTO4F (3" Length) PVTKK1SS
B - Frame Kits	MSR (Stucco Frame) MOSR (Stucco Frame) BSR-4 (4" Brick Frame) BSR-6 (6" Brick Frame)
C - Flex Sections	PFL - 1 (12" f/f Section) PFL - 18 (18" f/f Section) PFL - 2 (24" f/f Section) PFL - 3 (36" f/f Section) PFL - 4 (48" f/f Section) PFL - 6 (72" f/f Section)
D - Rigid Sections	PXT - 5 (5" f/f Section) PXT - 10 (10" f/f Section) PXT - 20 (20" f/f Section) PEXT - 1 (12" f/m Section) PEXT - 2 (24" f/m Section) PEXT - 3 (36" f/m Section) PEXT - 4 (48" f/m Section) PEXT - 6 (72" f/m Section)
E - Elbows	PEL-90MM (m/m 90° Elbow) PEL-90FF ( f/f 90° Elbow) PEL-90FM ( f/m 90° Elbow) PEL-45FM ( f/m 45° Elbow)
F - Support Ring & Plate	PSPXT-8
G - Firestop	FS-8
H - Roof Flashing	PRF-7 (1/12 - 7/12 pt.) PRF-12 (7/12 - 12/12 pt.)
I - Heat Shield	RHS103
J - Heat Guard	MTKOG

### IMPORTANT:

Please Refer to your Building Envelope Engineer or Waterproofing Consultant for a review of ALL penetrations through exterior walls or the roof.



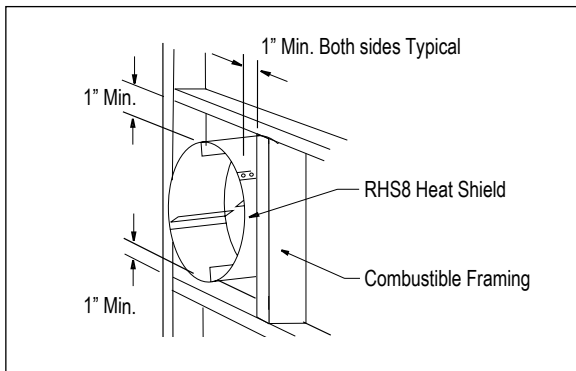
# Installation

## Section 3-3-3: Heat Shields

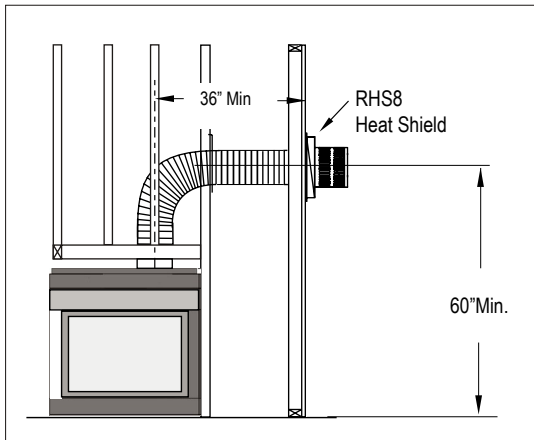
### Installing a Wall Mounted RHS8 Heat shield

The RHS8 Heat shield **CANNOT** be used **WITHIN 36" horizontal or 60" vertically** of the fireplace, (see **figure 16a**). For applications within these dimensions the RHS101 Heat Shield **MUST** be used.

To install the RHS8, frame an opening in combustible construction, **Figure 16** below. Slide the Heat shield in place over the vent pipe which attaches to the fireplace. After the fireplace and vent pipe has been installed, clearances should match the dimensions in **Figure 16**.



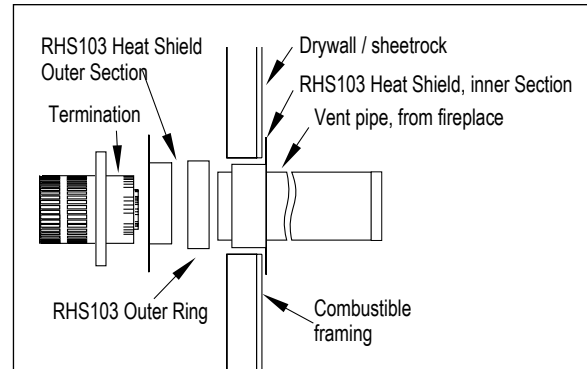
**Figure 16.** RHS8 Installation. (Install by sliding over vent pipe where it passes through the combustible construction).



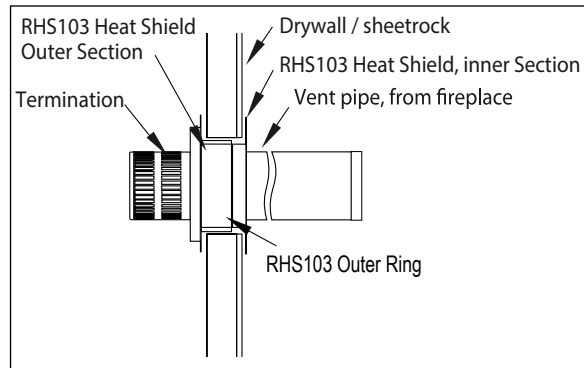
**Figure 16a.** RHS8 Installation. (**Minimum requirements**).

### Installing a Wall Mounted RHS103 Heat shield.

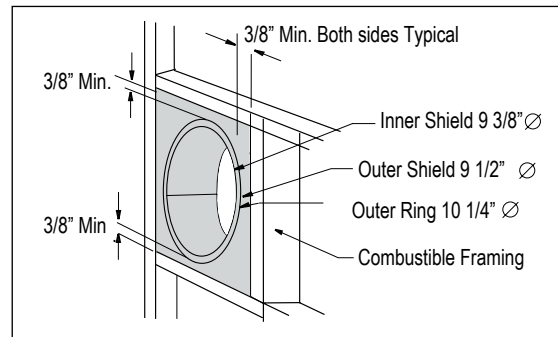
Use the RHS103 where the termination is closer to the fireplace than 36" horizontally and 60" vertically. To install the RHS103, Slide the Inner Section over the vent pipe that will connect to the fireplace. Then fasten the vent pipe to the back of the fireplace with a minimum of three sheet metal screws. From the outside slide outer ring to outer section and then slide the RHS103 outer section on, see **Figure 16**. To complete the installation fasten the Heat Shield Outer Section & Termination frame to the structure **Figure 16a**.



**Figure 17.** RHS103 Installation. (Install by sliding Outer Section over vent pipe where it passes through the combustible construction).



**Figure 17a.** Heat Shield after sliding the outer section in place.



**Figure 17b.** RHS103 Installation.

# Installation



## Section 4: Wiring

Models Included		
H38DF-CLN-F	HL38DF-CLN-F	HP38DF-CLN-F
H38DF-CRN-F	HL38DF-CRN-F	HP38DF-CRN-F
H38DF-CLL-F	HL38DF-CLL-F	HP38DF-CLL-F
H38DF-CRL-F	HL38DF-CRL-F	HP38DF-CRL-F

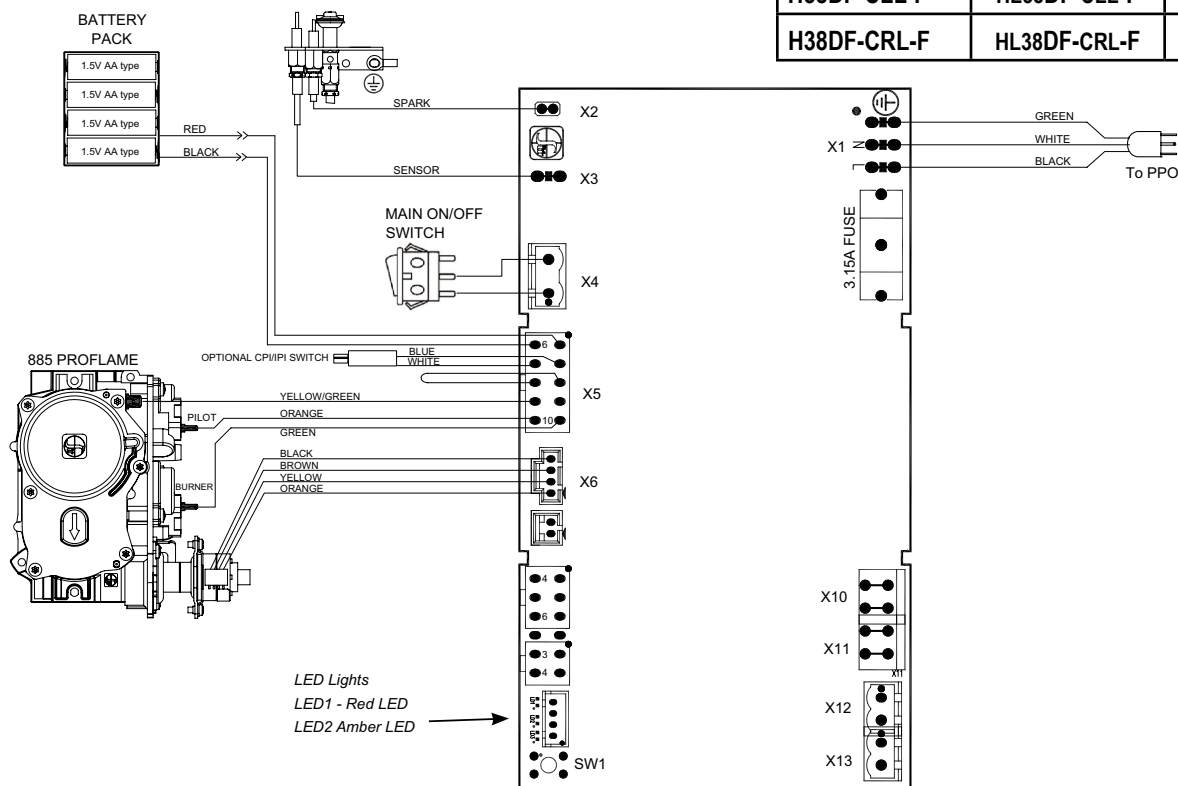


Figure 18. Wiring Diagram for the SIT Proflame 2 Electronic Ignition with remote control

### Installing the remote On/Off Wall Switch

The SIT Nova 820 gas valve may be connected to a wall switch. Do **NOT** connect any external power to the remote switch. The valve will generate its own power on a millivolt circuit. Use only low voltage wire, and **NOTE:** The switch location must not exceed 30' from the fireplace.

Models Included
H38DF-CLN
H38DF-CRN
H38DF-CLL
H38DF-CRL

Models Included
HL38DF-CLN-I
HL38DF-CRN-I
HL38DF-CLL-I
HL38DF-CRL-I

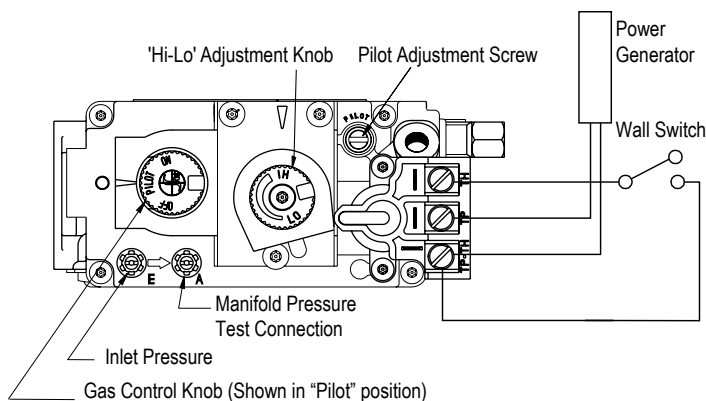


Figure 19. Wiring with SIT Nova 820.

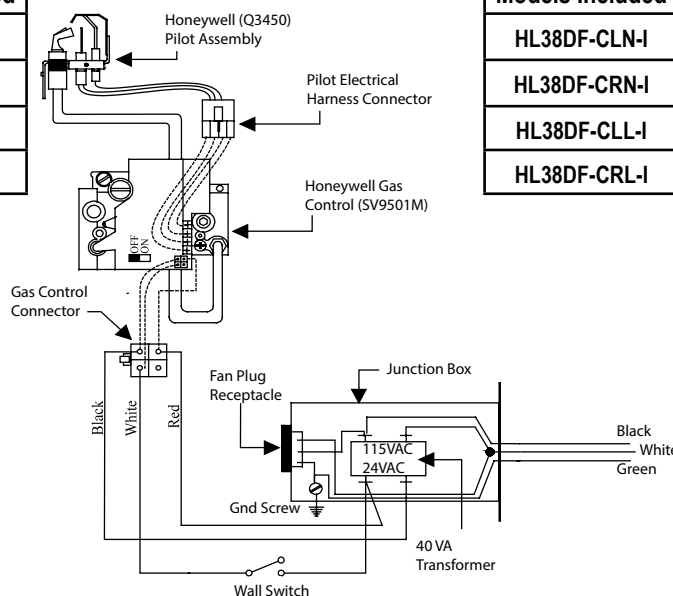


Figure 20. Wiring with Honeywell gas control and pilot.



# Installation

## Section 5: Installing the Gas Line

### Section 5-1: Fuel Conversion

- Verify that your fireplace is compatible with your available gas type. (Natural Gas or Propane shown by "N" or "L" in your model number)
- If gas type is not compatible, contact your local Montigo representative.
- Conversion kits must be installed by a qualified service technician.

### Section 5-2: Gas Pressure

- Optimum appliance performance requires proper input pressures.
- Gas line sizing requirements will be determined in ANSI Z221.3 National Fuel Gas Code in the USA and CAN/CGA B149 in Canada.

Pressure requirements are:

Gas Pressure	Natural Gas	Propane
Minimum inlet pressure	5.5in. w.c.	11in. w.c.
Manifold pressure	3.5in. w.c.	10in. w.c.

- The manifold outlet pressure is set from the factory to the appropriate pressure but should be verified.
- To check pressures, control valves have a provision to remove a 1/8" N.P.T. plug to be fitted with a hose barb.
- Montigo requires a service shut off valve be located in an accessible location to isolate the gas supply.
- Only install gas shut-off valves approved for use by the state, province, or other governing body in which the fireplace is being installed.

### Section 5-3: Gas Connection

- See **Figure 21** below for location of gas line access.
- Flexible gas connectors must not exceed 3 feet in length, unless allowable within local regulations.
- Connect incoming gas line to the 1/2" or 3/8" gas inlet port.
- Purge all air out of gas line.
- Check appliance connection, valve and valve train under normal operating pressure with a commercially available leak check solution.
- **DO NOT USE A FLAME OF ANY KIND TO TEST FOR LEAKS.**

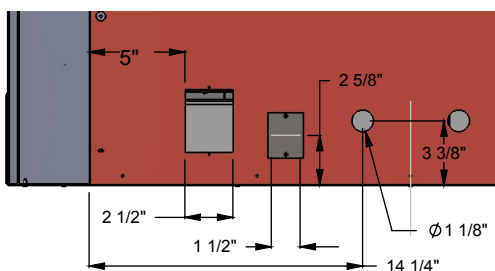


Figure 21. Gas line access.

## DANGER

After gas line is connected, each appliance connection, valve and valve train **MUST** be checked while under normal operating pressure with either a Liquid Solution, or Leak Detection Device, to locate any source of leak. Tighten any areas where bubbling appears or a leak is detected until bubbling stops completely or leak is no longer detected. **DO NOT** use a flame of any kind to test for leaks. A fire or explosion will occur, causing serious injury, property damage or death.

## NOTICE

When pressure testing the fireplace, Gas line, and input system follow the appropriate local codes or your area. **DO NOT** connect the fireplace to pressures in excess of 1/2lb. This will damage the gas control valve.

## WARNING

When installing the fireplace - gas lines, fittings, accessories or any other objects cannot impede the proper movement of the door buckles.

# Installation



## Section 6: Finishing

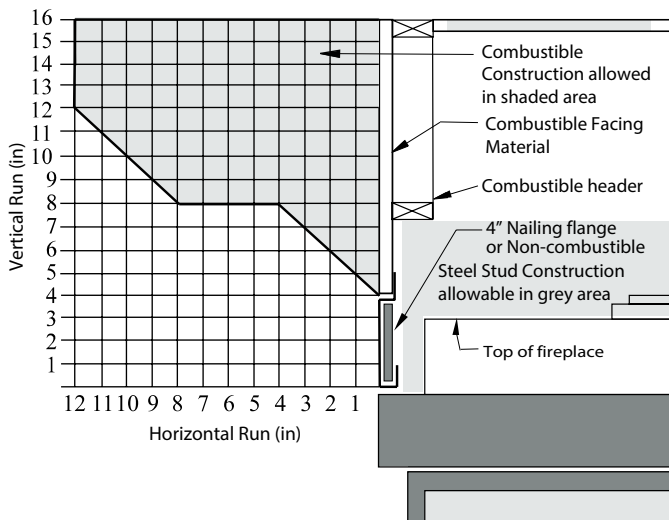
### Finishing Around the Fireplace

Combustible mantels and mouldings may be safely installed over the top and on the front of the fireplace provided that they do not project beyond shaded area shown in **Figure 22**.

### Fireplace Facing

When sizing the finish material for your fireplace, it is important to remember the following: **THE OPENING MUST NOT BE OBSTRUCTED IN ANY WAY - to do so restricts the air supply for the control compartments and heat exchanger it also prevents access for servicing controls.**

The face of the fireplace may be painted to match the room decor, provided you use a heat-resistant paint. Decorative facing must not extend past the fireplace opening at all, because it will interfere with the access to retainers for removal of glass door.



**Figure 22.** Combustible mantels and facings

**Note:** Images are shown without screens for clarity purposes. However, your fireplace should not be operated without proper installation of screens.

**WARNING:**

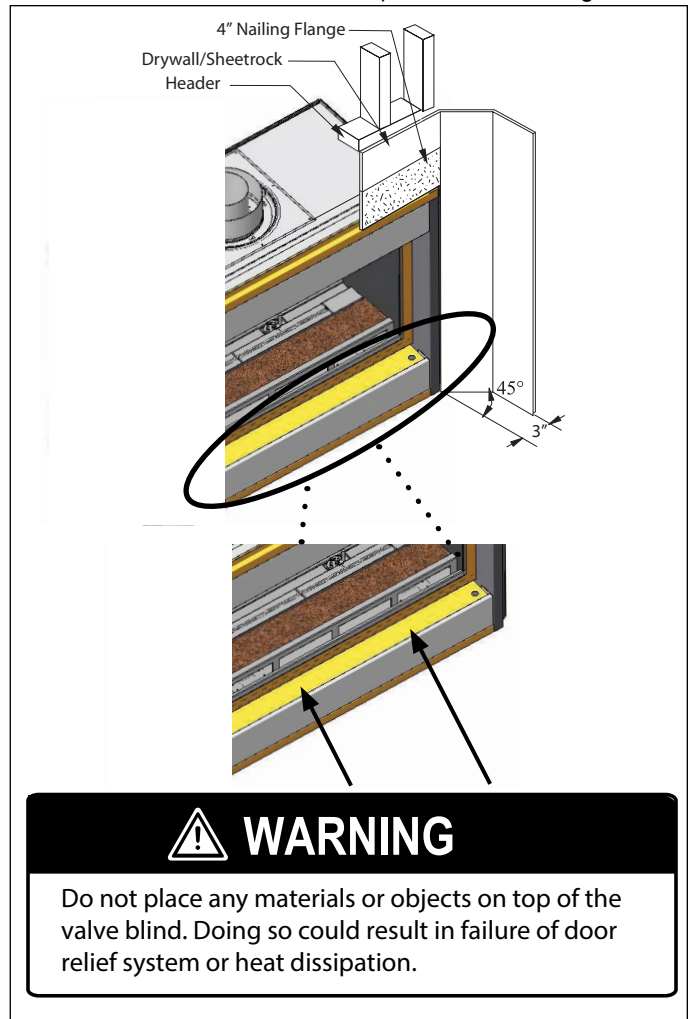
An inspection of the explosion relief flappers and door **MUST** be made prior to lighting the fireplace. A faulty seal on the door gasket and/or explosion ports will result in products of combustion leaking into the living space and may result in carbon monoxide poisoning.

### Mantels & Surrounds

**NOTE:** National Canadian Gas Association mantel test requirements are for fire hazard prevention to combustible materials.

New technology, to meet consumer and government demands for the wise use of energy, has prompted us to manufacture many models of fireplaces which are hot, fuel and energy efficient.

Side wall clearances are 3". Combustible surrounds may be installed with 3" clearance to the side of the fireplace as shown in **Figure 23**.



**Figure 23.** Combustible surrounds.



**WARNING**

Do not place any materials or objects on top of the valve blind. Doing so could result in failure of door relief system or heat dissipation.

**CAUTION**

We recommend careful consideration be given to the effects of elevated mantel temperatures which may be in excess of product design, for example: candles, plastic or pictures. This can cause melting, deformation, discoloration or premature failure of T.V. radio, and other electronic components.

**CAUTION**

When covering the upper metal portion of the fireplace, (as shown, Fig.21) with a non-combustible material, Please **Note:** The decorative facing materials may be subject to temperatures in excess of 250° F. This should be considered when selecting facing materials.



# Installation

## Section 7: Screen Installation and Removal

### Removing / Attaching Screens:

#### To Remove Screens:

Grasp each top outer corner of the screen with your thumb and finger and pull towards yourself. When the upper Screen Studs are free, lift the screen at an angle from the lower slots from which the Screen Bottom Tabs are held. Place the screen in a safe place.

#### To Install Screens:

Hold the screens at an angle away from the fireplace, and locate the Screen Bottom Tabs at the lower corners of the screen. Place the screen into the Screen Tab Receptacles in the lower section of the fireplace.

Make sure the tabs and screens are lowered all the way down into the Screen Tab Receptacles on the fireplace. Then, push each Upper Screen Stud on the top corners of the screen into the Upper Screen Stud Receptacles in the fireplace.

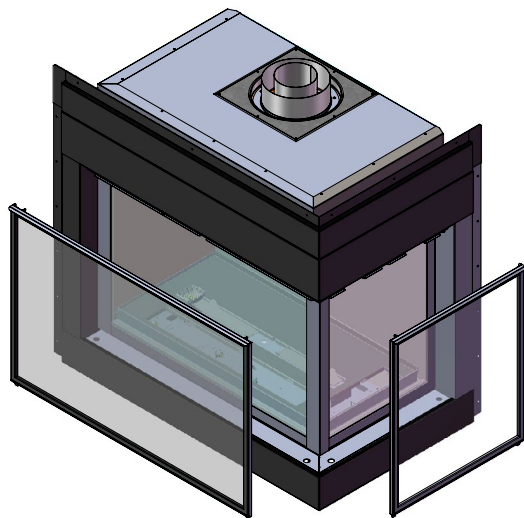


Figure 23a. Fireplace with screens

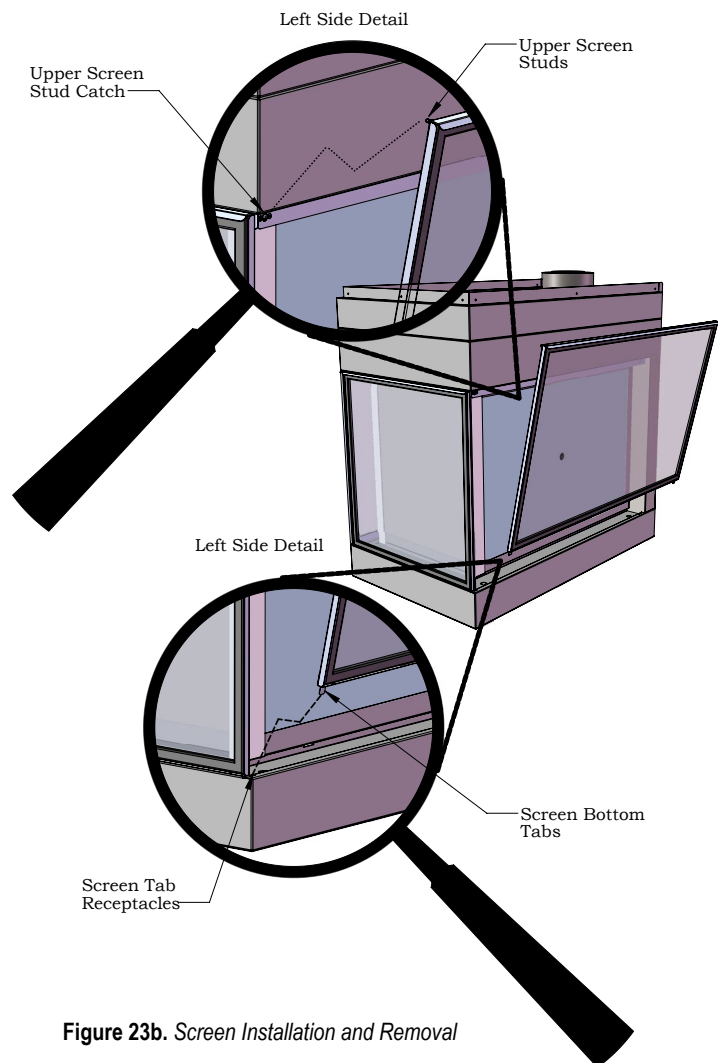


Figure 23b. Screen Installation and Removal

### Replacement Screens:

For replacement part order numbers, please refer to section "Replacement Parts:" on page 33.

**Note:** Do not operate fireplace without all screens in place.

# Installation



## Section 8: Removing the Door

### **WARNING**

When reinstalling door(s), always make sure all door buckles are properly hooked and fully engaged.

### Removing the Front door:

The H\*38C\* Front door is removed in a few simple steps. Follow these below to remove the Horizontal access panel, unlatch the door buckles and, remove the door. Replace in reverse order. The smaller Side door is bolted in place.

### Remove the Horizontal Access Panel:

#### Step 1:

Remove the Horizontal cover by placing fingers in both finger holes, then pushing away from you and lifting out. Place it aside during maintenance or cleaning. Install in reverse order.



Figure 24. Removing and installing the Horizontal Access Panel

#### Step 2:

#### Locate the Door Buckles:

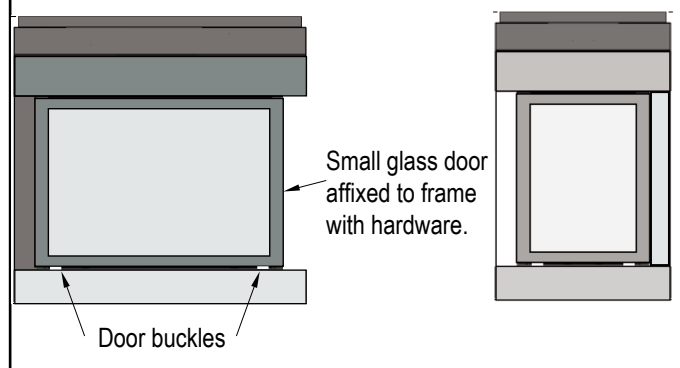


Figure 24a. Locate the door buckles.

#### Step 3:

#### Release the Door Buckles



Figure 24b. Door buckle Tool

#### Step 4:

Firmly grasp hand-hold end of Door buckle tool and place the machined end in the slot under door frame. (as shown)

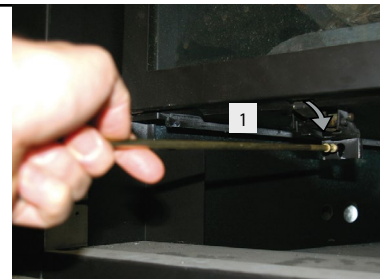


Figure 24c.

#### Step 5:

Ensure the tool is firmly in the lower end of the slot, (as shown), Then pull toward you (Caution: hold the tool securely).

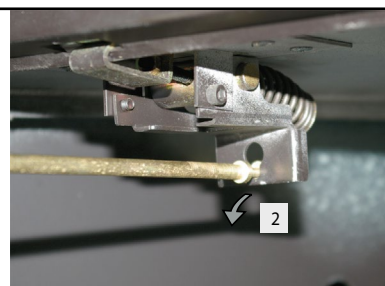


Figure 24d.

#### Step 6:

Pull hard if necessary to release the spring tension. (Caution: The latch springs back with force, hold the tool securely).

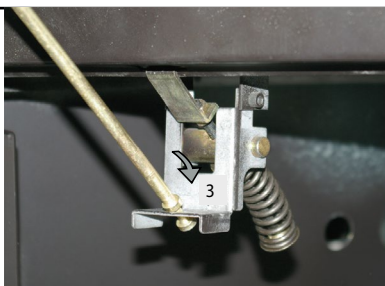


Figure 24e.

#### Step 7:

Remove the tool from the latch slot. Ensure the latches are hanging freely, the hook end is released from the bottom of the door. (Repeat all 4-steps for the remaining latches).

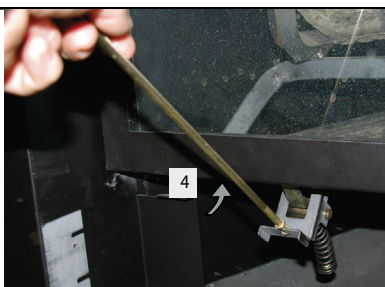


Figure 24f.



## Installation

### Step 8: Removing the Door:

Grasp the Door on either side, usually midway and lift upward, lift the door carefully up and away from the front of the fireplace. See **Figures 24g**. Place the Door aside in a safe place while maintenance and / or cleaning is being performed.

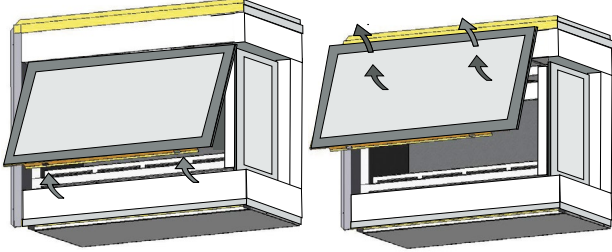


Figure 24g. Removing and installing the glass door.

### Installing the Front Door:

To install the door, hook the top edge of the door frame into place. Lower and rest the door frame in place and fasten the buckles.



## WARNING

When installing the fireplace - gas lines, fittings, accessories or any other objects cannot impede the proper movement of the door buckles.



# Installation



## Section 9: Installing the Accessories

### Installing the H38C\* Logset

The H38C\* is supplied with eight (8) fibre logs. The two small bottom logs ("A") are mounted on the burner grate by placing them diagonally onto the supplied Log stands. The long Front / Back logs ("B") are placed against the grate as shown in **Figure 25b**. **Note:** When placing logs, arrange Logs "B" as not to cover Burner holes.

Next are the Top logs "C" which are placed diagonally, as shown in **Figure 25c**. The last logs "D" is then mounted on top of logs "A" as shown in **Figure 25d**.

### Installing the Ember Material

The ember material is supplied in two packages. Spread the material evenly around the burner tray, or pile around burner holes for a realistic effect.

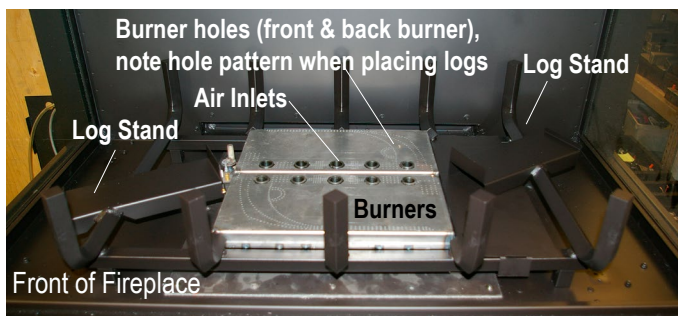


Figure 25. Empty firebox showing the Left & Right stands)



Figure 25a. Place Logs "A" on Left & Right stands.



Figure 25b. Place Logs "B" as shown, in front of Right-hand "A", and behind Left-hand "B".

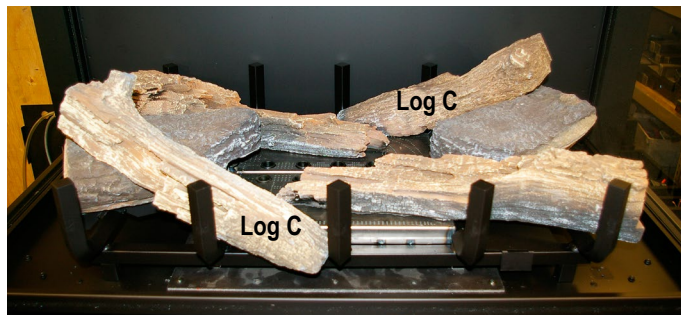


Figure 25c. Log Installation. Place Logs "C" on-top of Logs "A". Indentations on-top of Logs "A"

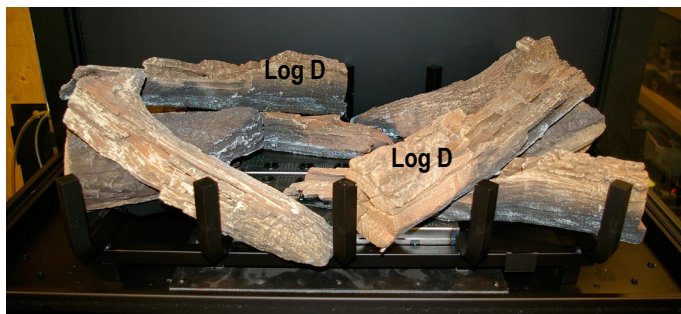


Figure 25d. Completed Installation.

**NOTICE**  
If logs are not placed properly, excessive sooting will result.

**NOTICE**  
Do not use ammonia based or abrasive cleaners on the glass, they will permanently etch the surface. Use an approved gas fireplace glass cleaner such as Kel-Kem or White off.

**NOTICE**  
Do not operate this fireplace without the glass door or with a broken glass door.



# Installation

## Installing the HP38C\* Logs and Embers

### Bottom Logs

The HP38C\* is supplied with seven (7) fibre logs. The two bottom logs ("A" & B) are mounted on the burner grate as shown in **Figure 26a**.

### Top Logs

Place logs "C" & "D" into their diagonal positions as shown in **Figure 26b**. Log "E" is mounted on top of log 'C' as shown in **Figure 26c**. Place log "F" into slot at the side of the unit as seen in **Figure 26d**. Log "G" is to be mounted onto of log "D" as shown in **Figure 26e**.

**WARNING:** If logs are not placed properly, excessive sooting will result.

### Installing the Ember Material

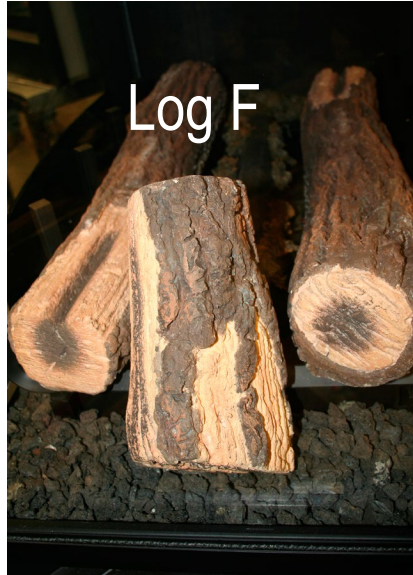


Figure 26d. Place log F into slot at the glass side of unit.

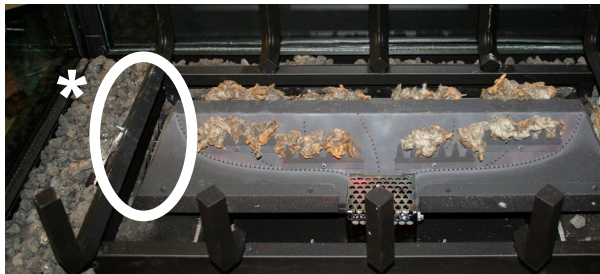


Figure 26. Place the provided embers in the 5 pronged ember holders. Be sure to not directly cover any of the burner holes.

\*Do NOT cover burner with embers on the side facing the side view glass See **Figure 1** for Side View



Figure 26e. Place log G diagonally across log D. Log placement complete.

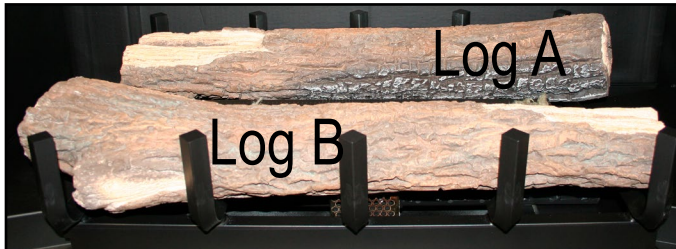


Figure 26a. Place Log A and B in the grate on either side of the burner.



Figure 26b. Place Log C and D diagonally across Logs A and B.



Figure 26c. Place Log E diagonally across Log C. Ensure that log E does not touch the grate.



Figure 26g. Evenly spread provided lava rock in tray

# Installation



## Installing Firestones in Natural Gas and Propane Fireplaces

The HL38C\* fireplace is supplied with firestones. Remove the Door as shown on **page 20**. Follow these instructions to ensure all parts are removed or replaced as required. Once the glass door is removed place the firestones randomly across the pan as described in **Figure 27 to 27a**.

### **CAUTION!**

DO NOT COVER THE BURNERS or PILOT



**Figure 27.** Completed firestone installation. Second Gen burner shown.

(Note: **DO NOT** place ANY firestones on top of the burners or pilot).



**Figure 27a.** Operating gas fireplace with firestones surrounding burner tray. Second Gen burner shown.

### **Optional Cultured Rocks**

The HL38C\* has the option of installing the cultured rocks which mimic real stone. These may be spaced at random or in a visual pattern of your preference in the burner pan. See the Montigo web site for photographs and ideas. [www.montigo.com](http://www.montigo.com)



## Operation

### For Your Safety - READ BEFORE LIGHTING:

**! DANGER**

**HOT GLASS WILL CAUSE BURNS.**

**DO NOT TOUCH GLASS UNTIL COOLED.**

**NEVER ALLOW CHILDREN TO TOUCH GLASS.**

A barrier designed to reduce the risk of burns from the hot viewing glass is provided with this appliance and shall be installed for the protection of children and other at-risk individuals.

**! WARNING**

If the information in these instructions is not followed exactly, a fire or explosion may result causing property damage, personal injury or death.

WARNING/ CAUTION: Hot while in operation. Do not touch. Severe burns may result. Keep children, clothing, furniture, gasoline and other liquids having flammable vapours away.

See installation and operating instructions accompanying this appliance.

- A. This appliance is equipped with an ignition system that lights the pilot burner automatically. Do not attempt to light the pilot by hand.
- B. BEFORE LIGHTING smell all around the appliance area for gas. Be sure to smell next to the floor because some gas is heavier than air and will settle on the floor.

What To Do If You Smell Gas:

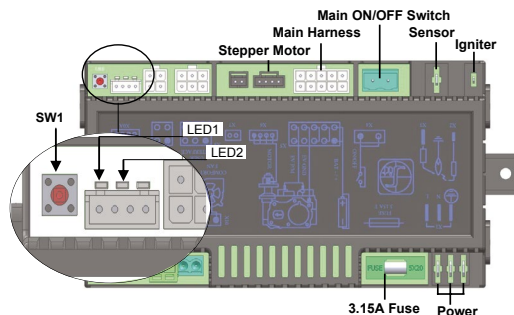
- Do not try to light any appliance.
- Do not touch any electrical switch; do not use any phone in your building.
- Immediately call your gas supplier from a neighbour's phone. Follow the gas supplier's instructions.

- If you cannot reach your gas supplier, call the Fire Department.
- C. Use only your hand to push in or turn the gas control knob. Never use tools. If the knob will not push in or turn by hand, don't try to repair it, call a qualified service technician. Force or attempt to repair may result in a fire or explosion.
  - D. Do not use this appliance if any part has been under water. Immediately call a qualified service technician to inspect the appliance and to replace any part of the control system, and any gas control which has been under water.

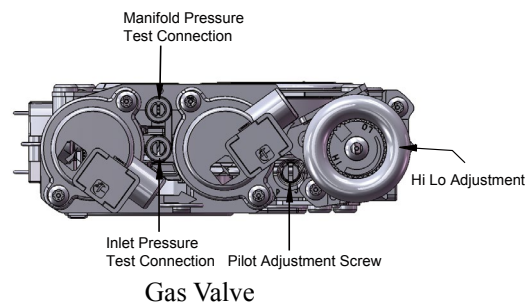
*SIT Proflame 2 Electronic Ignition*

### Lighting Instructions:

1. STOP! Read the safety information above on this label.
2. Remove the lower Horizontal access panel.
3. Turn "ON" manual "ON/OFF" switch located below the horizontal access panel (if available).
4. Turn Incoming gas valve to the ON" position.
5. Wait 5 minutes to clear out any gas. If you smell gas, STOP! Follow "B" in the safety information above on this label. If you don't smell gas, go to the next step.
6. Turn fireplace "ON" using wall switch or remote control.
7. If the Fireplace does not light, the System will cycle through two trials, (one minute audible clicking, thirty seconds of silence, and then another one minute of audible clicking). If the system locks out due to inadequate gas flow, refer to "Troubleshooting" in instruction guide.
8. After completion of the information in the Troubleshooting section, Repeat step 5.
9. If the system will not function correctly, follow the instructions "To Turn Off Gas To Appliance" and call your service technician or gas supplier.



SW1 = Programing Button  
 LED1 = Red Diagnostic Light  
 LED2 = Amber Programing Remote Control Light  
 Typical Control Module shown



### To Turn Off Gas To Appliance:



1. Turn off fireplace using wall switch or remote control.
2. Remove the lower Horizontal access panel.
3. Turn the incoming gas control valve to "Off".
4. Replace the lower Horizontal access panel.

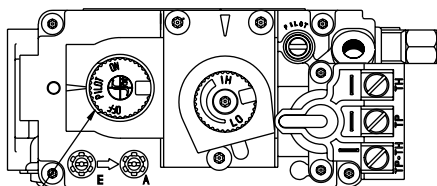
# Operation



Standing (Continuous) Pilot Ignition (SIT NOVA 820)

## Lighting Instructions:


- STOP!** Read the safety information above on this label.
- Lift out the lower Horizontal access panel.
- Push in gas control knob and turn clockwise  to "OFF."
- Wait five (5) minutes to clear out any gas. Smell for gas, including near the floor. If you then smell gas, **STOP!** Follow "B" in the safety information above on this label. If you don't smell gas, go to the next step.
- Locate pilot burner (See illustration at right.) and follow steps below.
- Turn knob on gas control counter clockwise  to "PILOT."
- Push in gas control knob completely and hold. Light with Piezo

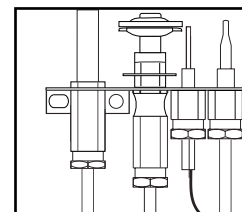


Gas Control Knob  
(Shown in "Pilot" position.)


**NOTE:** Gas control knob cannot be turned from "PILOT" to "OFF" unless knob is pushed in slightly. Do not force.

Igniter button. Continue to hold the control knob in for about (1) minute after the pilot is lit. Release the knob and it will pop back up. Pilot should remain lit. If it goes out repeat steps 3 through 8.

- If knob does not pop up when released. Stop and immediately call your service technician or gas supplier.
  - If the pilot will not stay lit after several tries, turn the gas control knob to "OFF" and call your service technician or gas supplier.
- Push in gas control knob and turn counter-clockwise  to "ON."
  - Replace the lower Horizontal access panel.
  - Turn on remote switch to ignite fire.



## To Turn Off Gas To Appliance:

- Turn off remote switch.
- Lift out the lower Horizontal access panel.
- Push in gas control knob slightly and turn  clockwise to "Off". Do not force.
- Replace the lower Horizontal access panel.

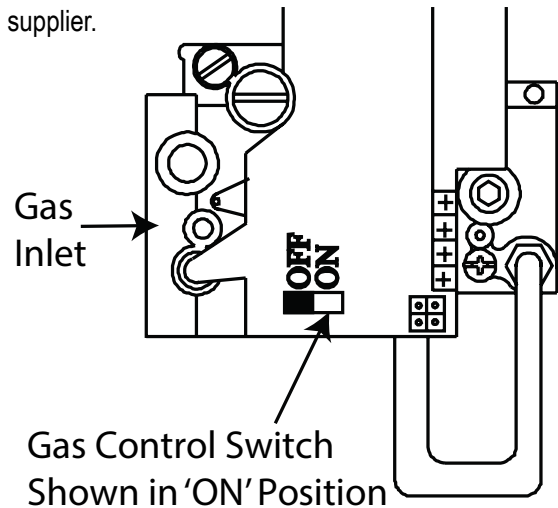


## Operation

*Honeywell Electronic Ignition*

### Lighting Instructions:

1. **STOP!** Read the safety information above on this label.
2. Flip down the lower trims.
3. Turn switch on the gas control to OFF".
4. Wait 5 minutes to clear out any gas. If you smell gas, **STOP!** Follow "B" in the safety information above on this label. If you don't smell gas, go to the next step.
5. Turn switch on the gas control to "ON". **NOTE:** This unit is equipped with an ignition system that lights the pilot burner automatically. **Do not attempt to light the pilot by hand.**
6. Turn on wall switch.
7. Flip up the lower trim.
8. If the fireplace does not operate, follow the instructions "To Turn Off Gas To Appliance" and call your service technician or gas supplier.



### To Turn Off Gas To Appliance:

1. Turn off remote switch.
2. Flip down the lower trim.
3. Turn the switch on the gas control to "Off".
4. Flip up the trim.

# Maintenance



## Maintenance

### Lighting Instructions

See pages 24 - 26

#### General

- **Have the fireplace and installation inspected yearly.** The inspection must include, but is not limited to, the following:
  - A visual check of the entire vent system and termination.
  - An inspection of the explosion relief flappers and the door gaskets to ensure a proper seal.
  - An inspection of the burner, vent run, and primary air openings.
  - An inspection of the gas valve, gas components, and pilot flame. For your convenience a 1/8" manifold pressure tap is supplied on the gas valve for a test gauge connection.
  - Ensure proper log placement as per this manual.
  - Inspection of all optional equipment; fans, thermostats, etc.
  - Inspection of all glass doors and screens for damage and proper installation.
- For Natural Gas this appliance requires a minimum inlet pressure of 5.5" W.C. and a manifold pressure of 3.5" W.C.
- For Propane Gas this appliance requires a minimum inlet pressure of 11" W.C. and a manifold pressure of 10" W.C.
- Always keep the fireplace area clear and free of combustible materials, as well as gasoline and other flammable vapors and liquids.
- Do not use this appliance if any part has been under water. Immediately call a qualified service technician to inspect the appliance and to replace any part of the control system and any gas control which has been under water.

### Cleaning

When the fireplace is first activated, there may be some smoking and a visible film may be left on the glass. This is a normal condition, and is the result of burning of protective coatings on new metal.

- Glass must be cleaned periodically to remove any film (which is a normal by-product of combustion) which may be visible. Film can easily be removed by removing the door, as shown on **Page 20**. Handle the door carefully, and clean it with non-abrasive glass cleaners. One of the most effective products is Kel Kem or White-off.
- Silicone seals on inner door during initial firing will "off gas", leaving a visual deposit of a white substance on combustion chamber walls. This can easily be removed from the chamber walls using normal household products.
- Use a vacuum cleaner or whisk broom to keep the control compartment, burner, and firebox free from dust and lint.
- Logs may be cleaned periodically with a vacuum to remove soot or other contaminants.

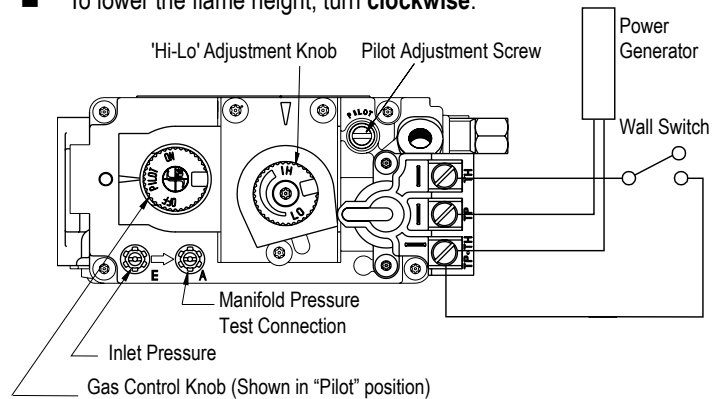
## NOTICE

Do not use ammonia based or abrasive cleaners on the glass, they will permanently etch the surface. Use an approved gas fireplace glass cleaner such as Kel-Kem or White off.

### Hi-Lo Burner Adjustment: (SIT Nova 820).

The H\*38C\* is equipped with an adjustable burner, allowing you to raise or lower the flames. To adjust the flames, locate the black knob marked 'Hi-Lo', in the centre of the gas control valve (See **Figure 29**).

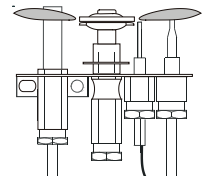
- To raise the flame height, turn the black knob (located behind the lower control compartment) **counter-clockwise**.
- To lower the flame height, turn **clockwise**.



**Figure 29.** 'Hi-Lo' Adjustment on the SIT Nova 820 gas valve,

### Pilot Burner Adjustment.

1. Locate Pilot Adjustment Screw. (See **figure 29 or 30**.)
2. Adjust pilot screw to provide properly sized flame as shown.
3. After installing or servicing, leak test with a soap solution with main burner on. Coat pipe and tubing joints, gasket etc. with soap solution. Bubbles indicate leaks. Tighten any areas where the bubbles appear until the bubbling stops completely.





# Maintenance

## Troubleshooting:

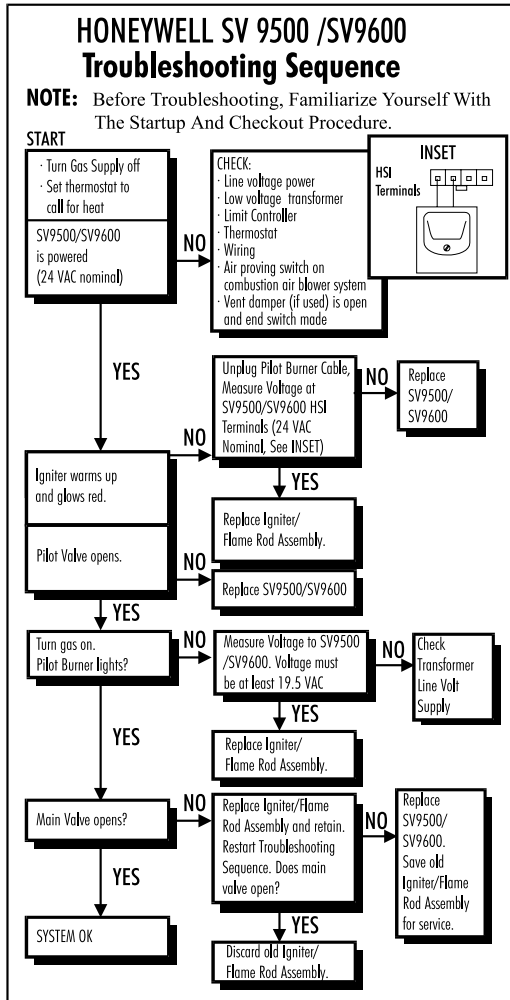
### SIT Nova 820:

The following is a troubleshooting chart of possible problems:

PROBLEM	CORRECTIVE ACTION
Noisy Pilot Flame	Locate pilot adjustment screw on gas control valve. Flame is decreased by turning adjustment screw clockwise.
Pilot won't ignite	Disconnect remote wires and try to light pilot. If pilot now works, remote connections are faulty. Check wiring diagram <b>figure 30</b> .
Main burner will not light	1. Check wiring (see <b>figure 30</b> ). 2. Check wall switch for proper connection.

### Honeywell:

The following is a troubleshooting chart of possible problems:



### SIT Proflame 2:

The following is a troubleshooting chart of possible problems:

PROBLEM	SOLUTION
Pilot Igniter won't spark	1. Check the MAIN ON-OFF switch (typically located below the valve cover) and turn ON 2. Ensure main power is ON or new batteries are installed in the remote control and backup battery pack (if available). 3. Check the 3.15A fuse in the control box and replace if necessary
Pilot Igniter sparking, but Pilot burner will not light	1. Verify the Inlet and Manifold Gas Pressure are within acceptable limits 2. Check all connections to gas valve 3. Check connection to stepper motor (if available)
Pilot lights , but Main burner will not Light	1. Check and verify all wiring connections as per the wiring diagram. 2. Verify the inlet and Manifold Pressure are within acceptable limits
Pilot lights , but Main burner will not Light and igniter continues to spark	1. Check the Pilot Flame Sensor Rod and clean with steel wool or similar. 2. Check the Pilot hood and clean with steel wool if dirty. 3. Adjust pilot flame using the pilot adjustment screw if the pilot flame is too long or too short (Flame should fully engulf the sensor rod and must be stable). 4. Check and make sure the ground wire from the pilot is connected to the fireplace body.
Fans not working	1. Ensure main power is ON (fireplace may be operating on back up batteries). 2. Check the 3.15A fuse in the control box and replace if necessary

If your fireplace still does not operate correctly, consult your local Montigo dealer.

**All service and repairs should be performed by a qualified Technician.**

All spare parts, optional fans, and optional trim finishes are available from your local Montigo dealer.



# Replacement Parts



## Replacement Parts:

Standing Pilot - Replacement Parts List			
	H38C*	HL38C*	HP38C*
Log Set	RLGS47	N/A	LGS38STCRPF
NG Gas Valve	RGC1006		
LP Gas Valve	RGC1005		
NG Pilot	RPA020		
LP Pilot	RPA021		
NG Burner	Contact Local Montigo Dealer		
LP Burner			
Thermocouple	RTC182		
Thermopile	RPG001		
Piezo Ignitor	PIEZO		
Pilot Tubing	RPTA03		
Door (CL = left, CR = right)	RDTH38CL01, RDTH38CL02		
	RDTH38CR01, RDTH38CR02		
Replacement Screen (CL - left, CR - right)	RSCH38CL1, RSCH38CL2		
	RSCH38CR1, RSCH38CR2		

SIT IPI Proflame 2 - Replacement Parts List			
	H38C*	HL38C*	HP38C*
Log Set	RLGS47	N/A	LGS38STCRPF
NG Gas Valve (with stepper motor)	RGC3033		
LP Gas Valve (with stepper motor)	RGC3034		
NG Pilot Assembly	RPA035		
LP Pilot Assembly	RPA036		
Ignitor Probe Assembly	RGC3075		
Flame sensor rod assembly	RGC3076		
Pilot Tubing	RPTA03		
Door (CL = left, CR = right)	RDTH38CL01, RDTH38CL02		
	RDTH38CR01, RDTH38CR02		
Control Module	RGC3061		
Proflame Transmitter	RGC3063		
Replacement Screen (CL - left, CR - right)	RSCH38CL1, RSCH38CL2		
	RSCH38CR1, RSCH38CR2		



# Maintenance

## Replacement Parts - Part Codes Diagrams:

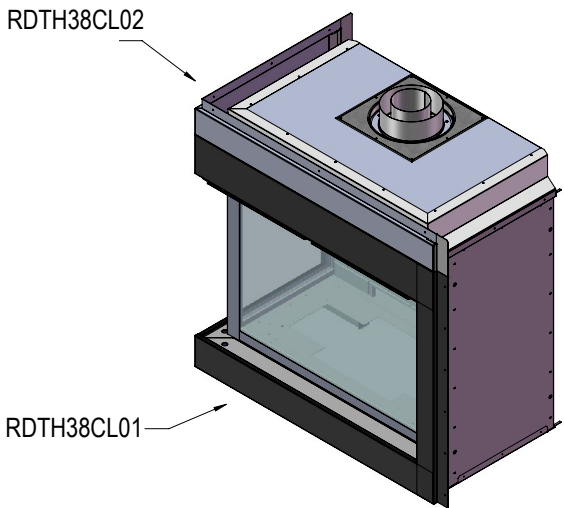


Figure 28. Replacement Door Part Codes - CL = Left

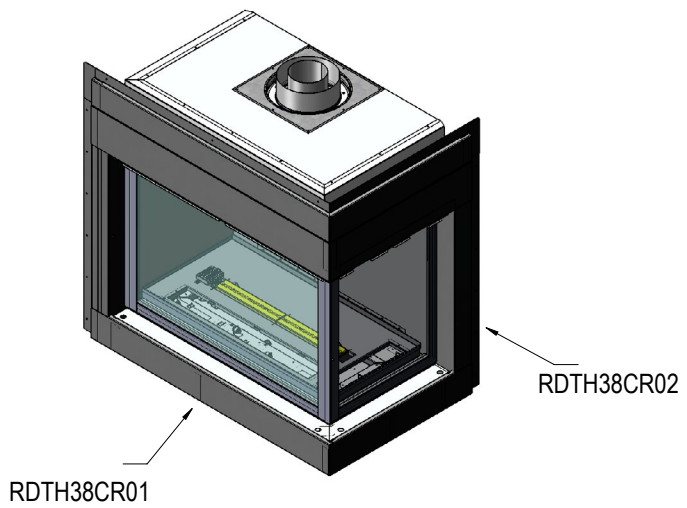


Figure 28a. Replacement Door Part Codes - CR = Right

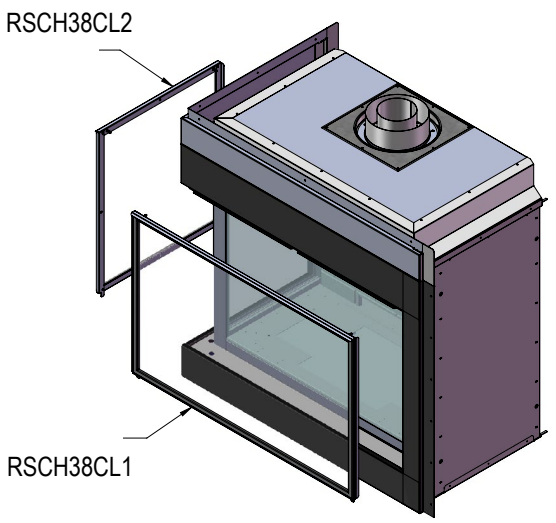


Figure 28b. Replacement Screen Part Codes - CL = Left

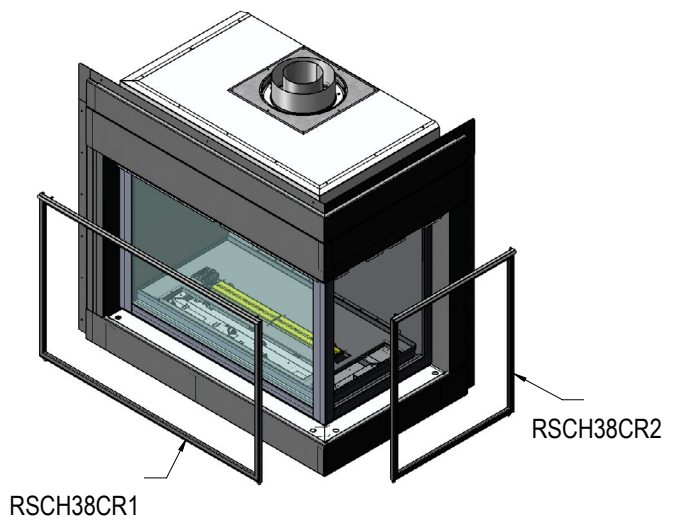
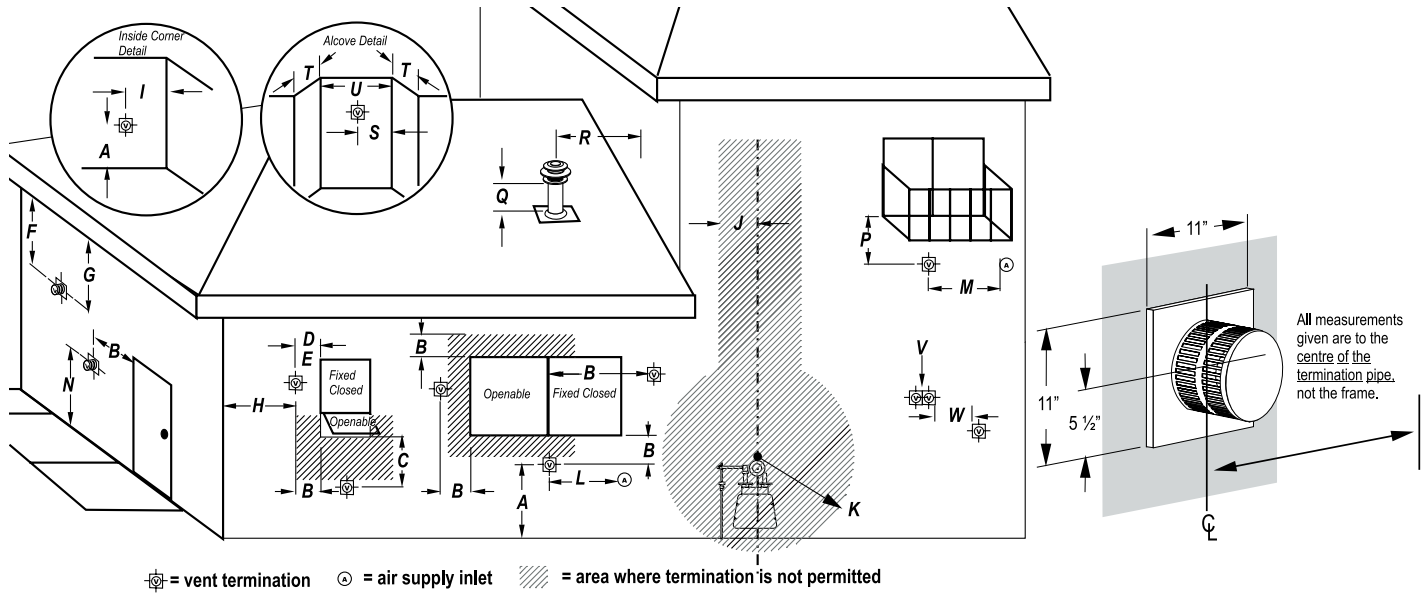


Figure 28c. Replacement Screen Part Codes - CR = Right

# Appendix

## Appendix A: Venting Terminations



	Location	Canada*	USA**
<b>A</b>	clearance to the termination frame above grade, veranda, porch, deck, or balcony	12 inches	12 inches
<b>B</b>	clearance to top of doors or operable windows	12 inches	12 inches
<b>C</b>	clearance to sides or bottom of door or operable windows	12 inches	9 inches
<b>D</b>	clearance to permanently closed window when installed with approved glass penetration termination	0	0
<b>E</b>	clearance to permanently closed window Recommended to prevent condensation	16 inches	16 inches
<b>F</b>	clearance to ventilated soffit located within a horizontal distance to 24 inches from centerline of termination	22 inches	22 inches
<b>G</b>	clearance to unventilated soffit	30 inches to combustibles 16 inches to non-combustibles	30 inches to combustibles 16 inches to non-combustibles
<b>H</b>	clearance to outside corner	9 inches	9 inches
<b>I</b>	clearance to inside corner	12 inches	12 inches
<b>J</b>	clearance to each side of the vertical centerline of a metre or regulatory assembly to a maximum vertical distance of 15ft	3 feet	3 feet
<b>K</b>	clearance to service regulator vent outlet	3 feet	3 feet
<b>L</b>	clearance to non mechanical air supply inlet to the building or combustion air inlet to other appliance for appliance <= 100,000 BTU/H (30 KW)	12 inches	12 inches
<b>M</b>	clearance to forced air supply inlet	6 feet	3 feet above air inlet
<b>N</b>	clearance above paved sidewalk or paved driveway located on public property	7 feet	7 feet
<b>P</b>	clearance under veranda, porch, deck, or balcony	22 inches to combustibles 16 inches to non-combustibles	22 inches to combustibles 16 inches to non-combustibles
<b>Q</b>	clearance above roof	2 feet	2 feet
<b>R</b>	clearance to adjacent walls and neighboring buildings	2 feet	18 inches
<b>S</b>	clearance from corner in recessed location	12 inches	12 inches
<b>T</b>	Maximum depth of recessed location	4 feet	4 feet
<b>U</b>	Maximum width for back wall of recessed location	2 feet	2 feet
<b>V</b>	Horizontal clearance between two terminations that are level	0	0
<b>W</b>	Horizontal clearance (centre to centre) between two terminations that are not level	18 inches	18 inches

Note 1: For N a vent shall not terminate directly above the sidewalk or paved driveway which is located between two single family dwellings and serve both dwelling.

Note 2: For P only permitted if veranda, porch, deck, or balcony is fully open on a minimum of two sides beneath the floor

Note 3: For J, K, and as specified in CGA B149 installation code. Local codes or regulations may vary.

\* Based on CGA B149.1 Natural Gas and Propane installation code. Local codes may vary, please check with local regulatory agency.

\*\* Based on ANSI Z223.1/NFPA 54 National Fuel Gas Code. Local codes may vary, please check with local regulatory agency.

## Appendix

### Appendix B: Warranty

#### The Warranty

The Companies warrants the Montigo Gas Appliance to be free from defects in materials and workmanship at the time of manufacture. On the Montigo fireplace, there is a ten-year warranty on the firebox and its components, a five-year warranty on the main burner and pilot burner, and a one-year warranty on the gas control valve, fibre logs and Power Vent Module. The Glass, plated / painted finishes, and refractory lining are exempt from the warranty.

#### Remedy And Exclusions

The coverage of this Warranty is limited to all components of the Gas Appliance manufactured by The Companies.

This Warranty only covers Montigo Gas Appliances installed in the United States or Canada.

If the components of the Gas Appliance covered by this Warranty are found to be defective within the time frame stated (see The Companies right of investigation outlined below). The Companies will, at its option, replace or repair defective components of the Gas Appliance manufactured by The Companies at no charge, and will also pay for reasonable labour costs incurred in replacing or repairing components. If repair or replacement is not commercially practical, The Companies will, at its option, refund the purchase price of the Montigo Gas Appliance.

This Warranty covers only parts and labour as provided above. In no case shall The Companies be responsible for materials, components, or construction which are not manufactured or supplied by The Companies, or for the labour necessary to install, repair or remove such materials, components or construction. All replacement or repair components will be shipped F.O.B. the nearest The Companies factory.

#### Qualifications To The Warranty

The Gas Appliance Warranty outlined above is further subject to the following qualifications:

- (1) The Gas Appliance must be installed in accordance with The Companies installation instructions and local building codes. The Warranty on this Montigo Gas Appliance covers only the component parts manufactured by The Companies. The use of components manufactured by others with this Montigo Gas Appliance could create serious safety hazards, may result in the denial of certification by recognized national safety agencies, and could be in violation of local building codes. This warranty does not cover any damages occurring from the use of any components not manufactured or supplied by The Companies
- (2) The Montigo Gas Appliance must be subjected to normal use. The Gas Appliances are designed to burn gas only. Burning conventional fireplace fuels such as wood, coal or any other solid fuel will cause damage to the Gas Appliance, will produce excessive temperatures and will result in a fire hazard.

#### Limitations On Liability

It is expressly agreed and understood that The Companies sole obligation, and purchaser's exclusive remedy under this Warranty, under any other warranty, expressed or implied, or in contract, tort or otherwise, shall be limited to replacement, repair, or refund, as specified above.

In no event shall The Companies be responsible for any incidental or consequential damages caused by defects in its products, whether such damage occurs or is discovered before or after replacement or repair, and whether or not such damage is caused by The Companies negligence. Some states do not allow the exclusion or limitation of incidental or consequential damages, so the above limitation or exclusion may not apply to you. The duration of any implied warranty with respect to this Montigo Gas Appliance is limited to the duration of the foregoing warranty. Some states do not allow limitation on how long an implied warranty lasts, so the above may not apply to you.

#### Investigation Of Claims Against Warranty

The Companies reserves the right to investigate any and all claims against this Warranty and to decide upon method of settlement.

#### The Companies Are Not Responsible For Work Done Without Written Consent

The Companies shall in no event be responsible for any warranty work done without first obtaining The Companies written consent.

#### Dealers Have No Authority To Alter This Warranty

The Companies employees and dealers have no authority to make any warranties nor to authorize any remedies in addition to or inconsistent with those stated above.

#### How To Register A Claim Against Warranty

In order for any claim under this Warranty to be valid, The Companies must be notified of the claimed defect in writing or by telephone, as soon as reasonably possible after the defect is discovered. Claims against this Warranty in writing should include the date of installation, and a description of the defect.

#### Other Rights

This Warranty gives you specific legal rights, and you may also have other rights which vary from state to state.

**NOTE:** *The Companies* as stated above refer to - Canadian Heating Products Inc. and/or Montigo Del Ray Corp.

*Canadian Heating Products Inc. and/or Montigo DelRay Corp. reserves the right to make changes at any time, without notice, in design, materials, specifications, prices and also to discontinue colors, styles and products.*

# Appendix

## Appendix C: State of Massachusetts

### Amendment

#### (Gas Fireplace / Equipment sold in the State of Massachusetts)

#### 5.08: Modifications to NFPA-54, Chapter 10

**(1) Revise NFPA-54 section 10.5.4.2** by adding a second exception as follows:

Existing chimneys shall be permitted to have their use continued when a gas conversion burner is installed, and shall be equipped with a manually reset device that will automatically shut off the gas to the burner in the event of a sustained back-draft.

**(2) Revise 10.8.3** by adding the following additional requirements:

(a) For all side wall horizontally vented gas fueled equipment installed in every dwelling, building or structure used in whole or in part for residential purposes, including those owned or operated by the Commonwealth and where the side wall exhaust vent termination is less than seven (7) feet above finished grade in the area of the venting, including but not limited to decks and porches, the following requirements shall be satisfied:

**1. INSTALLATION OF CARBON MONOXIDE DETECTORS.** At the time of installation of the side wall horizontal vented gas fueled equipment, the installing plumber or gas fitter shall observe that a hard wired carbon monoxide detector with an alarm and battery back-up is installed on the floor level where the gas equipment is to be installed. In addition, the installing plumber or gas fitter shall observe that a battery operated or hard wired carbon monoxide detector with an alarm is installed on each additional level of the dwelling, building or structure served by the side wall horizontal vented gas fueled equipment. It shall be the responsibility of the property owner to secure the services of qualified licensed professionals for the installation of hard wired carbon monoxide detectors

a. In the event that the side wall horizontally vented gas fueled equipment is installed in a crawl space or an attic, the hard wired carbon monoxide detector with alarm and battery back-up may be installed on the next adjacent floor level.

b. In the event that the requirements of this subdivision can not be met at the time of completion of installation, the owner shall have a period of thirty (30) days to comply with the above requirements; provided, however, that during said thirty (30) day period, a battery operated carbon monoxide detector with an alarm shall be installed.

**2. APPROVED CARBON MONOXIDE DETECTORS.** Each carbon monoxide detector as required in accordance with the above provisions shall comply with NFPA 720 and be ANSI/UL 2034 listed and IAS certified.

**3. SIGNAGE.** A metal or plastic identification plate shall be permanently mounted to the exterior of the building at a minimum height of eight (8) feet above grade directly in line with the exhaust vent terminal for the horizontally vented gas fueled heating appliance or equipment. The sign shall read, in print size no less than one-half (1/2) inch in size, "GAS VENT DIRECTLY BELOW. KEEP CLEAR OF ALL OBSTRUCTIONS".

**4. INSPECTION.** The state or local gas inspector of the side wall horizontally vented gas fueled equipment shall not approve the installation unless, upon inspection, the inspector observes carbon monoxide detectors and signage installed in accordance with the provisions of 248 CMR 5.08(2)(a)1 through 4.

(b) EXEMPTIONS: The following equipment is exempt from 248 CMR 5.08(2)(a)1 through 4:

1. The equipment listed in Chapter 10 entitled "Equipment Not Required To Be Vented" in the most current edition of NFPA 54 as adopted by the Board; and

2. Product Approved side wall horizontally vented gas fueled equipment installed in a room or structure separate from the dwelling, building or structure used in whole or in part for residential purposes.

**(c) MANUFACTURER REQUIREMENTS - GAS EQUIPMENT VENTING SYSTEM PROVIDED.** When the manufacturer of Product Approved side wall horizontally vented gas equipment provides a venting system design or venting system components with the equipment, the instructions provided by the manufacturer for installation of the equipment and the venting system shall include:

1. Detailed instructions for the installation of the venting system design or the venting system components; and
2. A complete parts list for the venting system design or venting system.

**(d) MANUFACTURER REQUIREMENTS - GAS EQUIPMENT VENTING SYSTEM NOT PROVIDED.** When the manufacturer of a Product Approved side wall horizontally vented gas fueled equipment does not provide the parts for venting the flue gases, but identifies "special venting systems", the following requirements shall be satisfied by the manufacturer:

1. The referenced "special venting system" instructions shall be included with the appliance or equipment installation instructions; and

**2. The "special venting systems"** shall be Product Approved by the Board, and the instructions for that system shall include a parts list and detailed installation instructions.

(e) A copy of all installation instructions for all Product Approved side wall horizontally vented gas fueled equipment, all venting instructions, all parts lists for venting instructions, and/or all venting design instructions shall remain with the appliance or equipment at the completion of the installation.

**(3) After NFPA-54 section 10.10.4.2** add a new section 10.10.4.3 as follows:

When more than four gas appliances are to be vented through a common gas vent or common horizontal vent manifold, a plan of the proposed vent installation shall be submitted to the Inspector and the serving gas supplier for review and approval.

#### Extraction from: Massachusetts Rules and Regulations

#### 5.00: Amendments To 2002 Edition Of ANSI Z223.1-NFPA-54



# H38DF CLCR

Corner  
Gas Fireplace

