

# INSTALLATION MANUAL



TOWN & COUNTRY  
LUXURY FIREPLACES

**INSTALLER:** Leave this manual with the appliance.  
**CONSUMER:** Retain this manual for future reference.

**WARNING:** If the information in these instructions is not followed exactly, a fire or explosion may result causing property damage, personal injury or death.

## FOR YOUR SAFETY

Installation and service must be performed by a qualified installer, service agency or the gas supplier.

### What To Do If You Smell Gas

- Do not try to light any appliance.
- Do not touch any electrical switch.
- Do not use any phone in your building.
- Immediately call your gas supplier from a neighbour's phone. Follow the gas supplier's instructions.
- If you cannot reach your gas supplier call the fire department.

Do not store or use gasoline or other flammable vapors and liquids in the vicinity of this or any other appliance.

This appliance may be installed in an aftermarket permanently located, manufactured home (USA only) or mobile home, where not prohibited by local codes.

This appliance is only for use with the type of gas indicated on the rating plate. This appliance is not convertible for use with other gases, unless a certified kit is used.

This appliance is suitable for installation in a bedroom or bed sitting room.

## TCWS54D2 INSTALLATION MANUAL



## MODEL: TCWS54 SERIES D2 DIRECT VENTED DECORATIVE GAS APPLIANCE

This is a decorative product and is not intended to be used as a heating appliance.



Visit [www.townandcountryfireplaces.com](http://www.townandcountryfireplaces.com) for the most recent version of this manual

# Table of Contents

Caution .....	3	Roof Termination Venting .....	19
Safety .....	3	Ceiling Opening:.....	19
Important Note for the Commonwealth of Massachusetts .....	4	Ceiling Firestop: .....	19
Fireplace Dimensions .....	5	Vent Pipe: .....	19
Minimum Clearances to Combustible Material .....	5	Roof Support Bracket: .....	19
Installation Requirements .....	6	Roof Termination Venting Chart .....	20
Manufactured (Mobile) Home .....	6	Roof Vent Terminal: .....	21
Door Frame Removal .....	6	Vent Terminal Minimum Clearances .....	22
Top Standoffs .....	7	Vent Terminal Clearance.....	23
Locating The Fireplace .....	7	Roof Pitch Table .....	23
Framing and Finishing .....	8	Vent Pipe Sealant .....	23
TCWS54D Minimum Combustible Framing Dimensions .....	9	Vent Restrictor Adjustment .....	24
Non - combustible board area .....	9	Roof Termination Kit .....	25
Steel Stud Framing Kit .....	10	Vent Pipe Dimensions .....	26
Frame Assembly .....	11	Vent Offset Chart .....	27
Fixed Lintel .....	12	Firebox Panels Installation .....	28
Framing Kit Adjustment.....	12	Installing firebox panels into a “D” series fireplace.....	28
Fireplace Facing Allowance .....	13	Finishing Touch Trim Kit Installation .....	29
Electrical .....	13	Linking Remote Handset to the Fireplace .....	31
Installation .....	13	Step 1: Procedure for linking / pairing wall	
Wall Switch and Remote Control .....	15	switch to fireplace.....	31
Linking the remote control unit to the wall switch.....	15	Step 2: Procedure for linking / pairing the wall	
Wall Switch to IFC Communication Cable Continuity Check ..	15	switch to remote handset .....	32
Selecting Natural Vent and Power Vent Modes .....	15	Maintenance .....	33
Home Automation .....	16	Glass Panel: .....	33
Gas Supply .....	17	Annual Inspection:.....	33
Gas Pressure Check .....	17	Periodically:.....	33
Correct gas pressure requirement:.....	17	TCWS.54D Replacement Parts .....	34
Venting .....	18	Replacement Parts – Valve Control System .....	35
Wall Termination Venting .....	18	Wiring Diagram .....	36
Vent System Components .....	18	Quick Panel Removal for Valve Service .....	37
		Rating Label .....	38

## Attention!

- Turn off the main gas supply for the appliance during installation or maintenance of the receiver/ module device.
- Turn off main gas supply for the appliance prior to removing or reinserting the batteries.
- In case of remote control malfunction, turn off the fireplace using the “on/off” main switch located on the wall.
- For installation/maintenance, turn off the fireplace at the on/off switch located on the wall and at the fireplace power supply circuit breaker.

# DANGER

**HOT GLASS WILL CAUSE BURNS.**

**DO NOT TOUCH GLASS UNTIL COOLED.**

**NEVER ALLOW CHILDREN TO TOUCH GLASS.**

**A barrier designed to reduce the risk of burns from the hot viewing glass is provided with the appliance and shall be installed for the protection of children and other at-risk individuals.**

---

## Caution

---

FOR YOUR SAFETY - Do not install or operate your Town & Country fireplace without first reading and understanding this manual. Any installation or operational deviation from the following instructions voids the Town & Country Fireplaces™ Warranty and may prove hazardous.

This appliance and its individual shut off valve must be disconnected from gas supply piping system during any pressure testing of that system at test pressures in excess of 1/2 psig (3.5 kPa).


This appliance must be isolated from the gas supply piping system by closing its individual manual shut off valve during any pressure testing of the gas supply piping system at test pressures equal to or less than 1/2 psig (3.5 kPa).

Note: When lit for the first time, the appliance will emit a slight odour for a couple of hours. This is due to the curing of paints, sealants and lubricants used in the manufacturing process. This condition is temporary. Open doors and windows to ventilate area. Smoke and fumes caused by the curing process may cause discomfort to some individuals.

Do not use the fireplace if any part has been under water. Immediately call a qualified service technician to inspect the fireplace and to replace any part of the control system and any gas control which has been under water.

We endorse





**WARNING:** This product can expose you to chemicals including ceramic fibers, which are known to the State of California to cause cancer, and carbon monoxide, which is known to the State of California to cause birth defects or other reproductive harm.

For more information go to [www.P65Warnings.ca.gov](http://www.P65Warnings.ca.gov).

This warning is applicable to all **Pacific Energy Fireplace Products**

We recommend that our gas hearth products be installed and serviced by professionals who are certified in the United States by the National Fireplace Institute® (NFI) as NFI Gas Specialists

---

## Safety

---

Due to high temperatures, this gas appliance should be located out of traffic and away from furniture and draperies.

Children and adults should be alerted to the hazards of high surface temperatures and should stay away to avoid burns or clothing ignition.

Young children should be carefully supervised when they are in the same room as the appliance. Toddlers, young children, and others may be susceptible to accidental contact burns. A physical barrier is recommended if there are at-risk individuals in the house. To restrict access to a fireplace or stove, install an adjustable safety gate to keep toddlers, young children, and other at-risk individuals out of the room and away from hot surfaces.

Clothing or other flammable material should not be placed on or near the appliance.

Any grill, panel or door removed for servicing the unit must be replaced prior to operating. Failure to do so may create a hazardous condition.

Installation and repair should be done by a qualified service person. The appliance should be inspected before use and at least annually by a professional service person. More frequent cleaning may be required due to excessive lint from carpeting, bedding material, etc. It is imperative that control compartments, burners and circulating air passageways of the appliance be kept clean.

It is our policy that no responsibility is assumed by the Company or by any of its employees or representatives for any damages caused by an inoperable, inadequate, or unsafe condition which is the result, either directly or indirectly, of any improper operation or installation procedures.

This appliance must not be connected to a chimney flue serving a separate solid fuel burning appliance.



# — Important Note for the Commonwealth of Massachusetts —

From Massachusetts Rules and Regulations 248 CMR 5.08:

- (a) For all side wall horizontally vented gas fuelled equipment installed in every dwelling, building or structure used in whole or in part for residential purposes, including those owned or operated by the Commonwealth and where the side wall exhaust vent termination is less than seven (7) feet above finished grade in the area of the venting, including but not limited to decks and porches, the following requirements shall be satisfied.
1. **INSTALLATION OF CARBON MONOXIDE DETECTORS.** At the time of installation of the side wall horizontal vented gas fuelled equipment, the installing plumber or gas fitter shall observe that a hard wired carbon monoxide detector with an alarm and battery back-up is installed on the floor level where the gas equipment is to be installed, in addition, the installing plumber or gas fitter shall observe that a battery operated or hard-wired carbon monoxide detector with an alarm is installed on each additional level of the dwelling, building or structure served by the side wall horizontal vented gas fuelled equipment. It shall be the responsibility of the property owner to secure the services of qualified licensed professionals for the installation of hard-wired carbon monoxide detectors.
    - a. In the event that the side wall horizontally vented gas fuelled equipment is installed in a crawl space or an attic, the hard-wired carbon monoxide detector with alarm and battery back-up may be installed on the next adjacent floor level.
    - b. In the event that the requirements of this subdivision cannot be met at the time of completion of installation, the owner shall have a period of thirty (30) days to comply with the above requirements; provided, however, that during said thirty (30) day period, a battery operated carbon monoxide detector with an alarm shall be installed.
  2. **APPROVED CARBON MONOXIDE DETECTORS.** Each carbon monoxide detector as required in accordance with the above provisions shall comply with NFPA 720 and be ANSI/UL 2034 listed as IAS certified.
  3. **SIGNAGE.** A metal or plastic identification plate shall be permanently mounted to the exterior of the building at a minimum height of eight (8) feet above grade directly in line with the exhaust vent terminal for the horizontally vented gas fuelled heating appliance or equipment. The sign shall read, in print size no less than one-half (1/2) inch in size, "GAS VENT DIRECTLY BELOW. KEEP CLEAR OF ALL OBSTRUCTIONS"
  4. **INSPECTION.** The state or local gas inspector of the side wall horizontally vented gas fuelled equipment shall not approve the installation unless, upon inspection, the inspector observes carbon monoxide detectors and signage installed in accordance with the provisions of 248 CMR 5.089(2) (a) 1 through 4.
- (b) **EXEMPTIONS.** The following equipment is exempt from 248 CMR 5.089(2)(a) 1 through 4.
1. The equipment listed in Chapter 10 entitled "Equipment Not Required To Be Vented" in the most current edition of NFPA 54 as adopted by the Board; and
  2. Product Approved side wall horizontal vented gas fuelled equipment installed in a room or structure separate from the dwelling, building or structure used in whole or in part for residential purposes.
- (c) **MANUFACTURER REQUIREMENTS – GAS EQUIPMENT VENTING SYSTEM PROVIDED.** When the manufacturer of Product Approved side wall horizontally vented gas equipment provides a venting system design or venting system components with the equipment, the instructions provided by the manufacturer for installation of the equipment and the venting system shall include:
1. Detailed instructions for the installation of the venting system design or the venting system components; and
  2. A complete parts list for the venting system design or venting system.
- (d) **MANUFACTURER REQUIREMENTS – GAS EQUIPMENT VENTING SYSTEM NOT PROVIDED.** When the manufacturer of a Product Approved side wall horizontally vented gas fuelled equipment does not provide the parts for venting the fuel gases, but identifies "special venting systems", the following requirements shall be satisfied by the manufacturer.
1. The referenced "special venting system" instructions shall be included with the appliance or equipment installation instructions; and
  2. The "special venting systems" shall be Product Approved by the Board, and the instructions for that system shall include a parts list and detailed installation instructions.
- (e) A copy of all installation instructions for all Product Approved side wall horizontally vented gas fuelled equipment, all venting instructions, all parts lists for venting instructions, and/or all venting design instructions shall remain with the appliance or equipment at the completion of the installation.

# Fireplace Dimensions

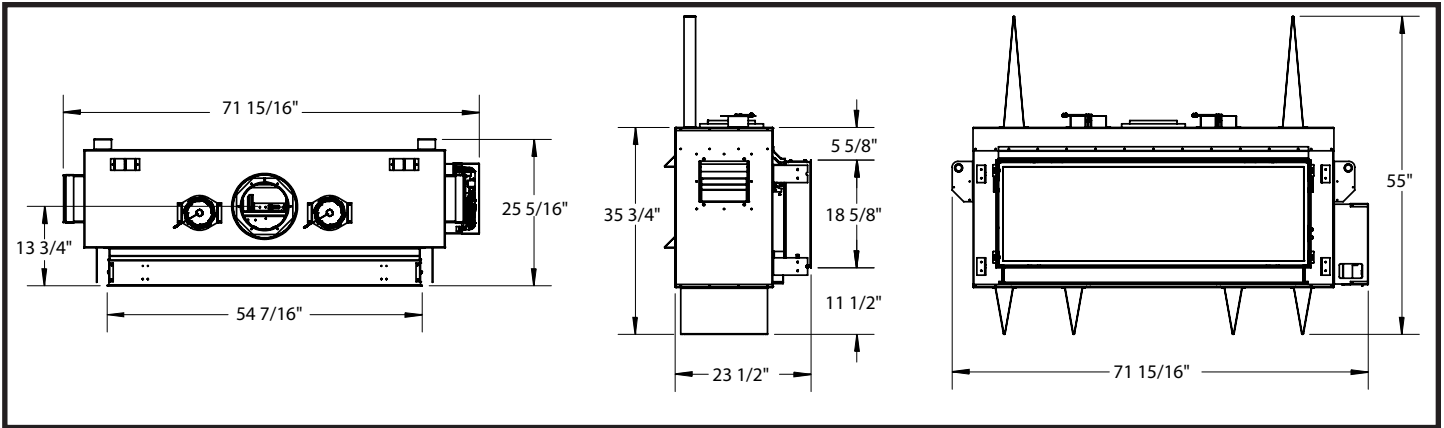


Figure 1: TCWS54 Dimensions.

## Minimum Clearances to Combustible Material

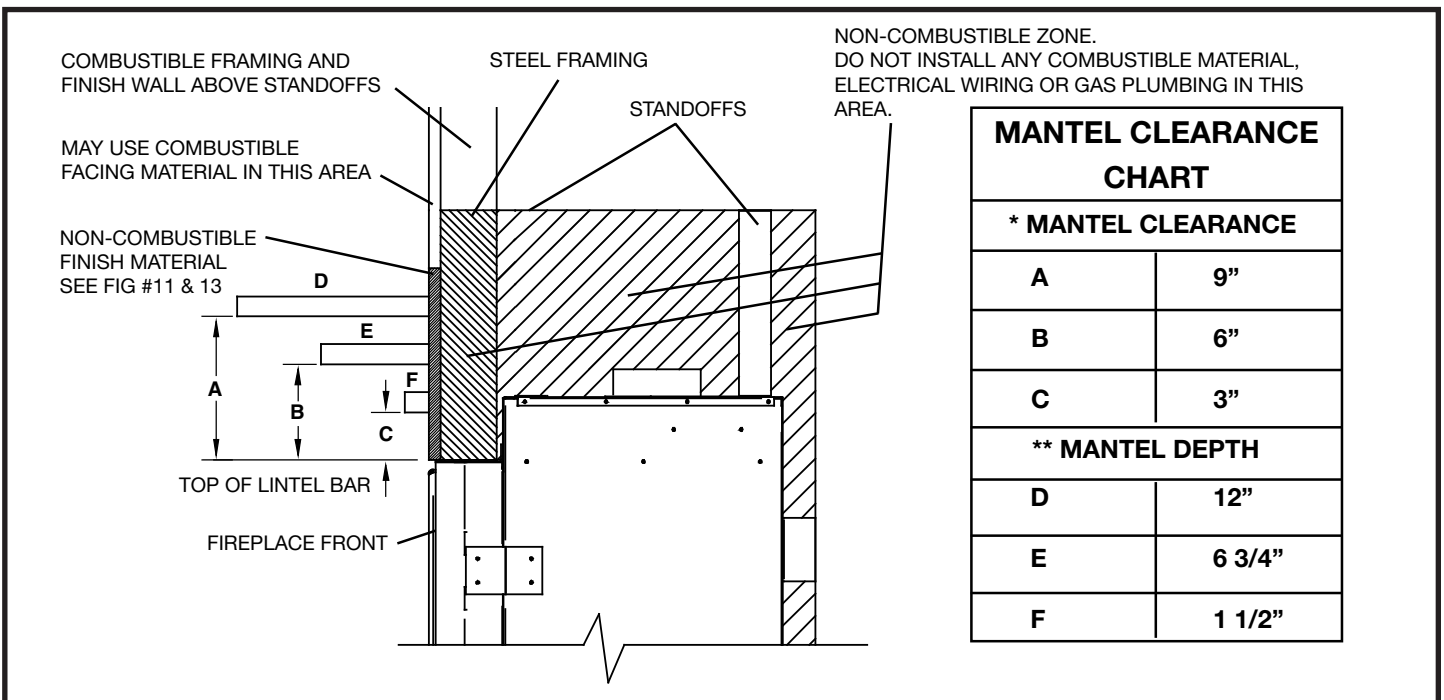


Figure 2: TCWS54D Mantel clearances.

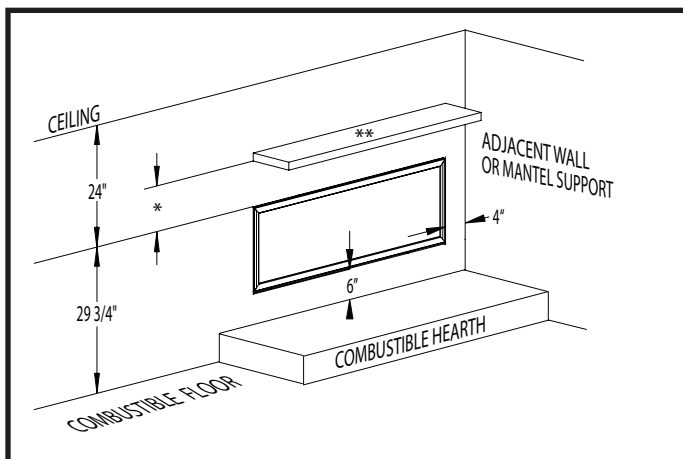


Figure 3: TCWS54D Minimum mantel clearances.

### Minimum Clearances:

Side standoffs .....	0 in.	(0 mm)
Back standoff .....	0 in.	(0 mm)
Top standoffs.....	0 in.	(0 mm)
Bottom of appliance.....	0 in.	(0 mm)
Adjacent side wall .....	4 in.	(102 mm)
Ceiling to appliance.....	24 in.	(610 mm)
*Mantel to appliance.....	See Figure #2	
**Maximum Mantel extension.....	See Figure #2	
Mantel support .....	4 in.	(102 mm)
Vertical vent pipe .....	1 3/4" in.	(45 mm)



# Installation Requirements

The Town & Country Fireplace installation and venting must conform to the current CAN/CGA-B149 installation code (in Canada) or the current National Fuel Gas Code, ANSI Z223.1 (in the USA), and approved per local codes. Only qualified (licensed or trained) personnel should install this product.

In the state of Massachusetts, only a licensed Plumber and Gas Fitter may install this product.

## Manufactured (Mobile) Home

In some jurisdictions, the Town & Country Fireplace may be installed in Manufactured Homes after the "first sale". Consult local codes for approval. The fireplace must be fastened in place.

Install in accordance with the current standard Mobile Homes, CAN/CSA Z240 MH (in CANADA), and the Manufacturer's Home Construction and Safety Standard, Title 24 CFR, Part 3280 or the current Standard for Fire Safety Criteria for Manufactured Home Installations, Sites and Communities ANSI/NFPA 501A (in the USA).

## Door Frame Removal

**Warning:** Turn off the fireplace, and allow ample time for the unit to cool before proceeding.

Caution: The ceramic glass is very fragile, and should be handled with care.

The door frame is held in place by two spring-loaded latches that are operated by a one-piece latch handle.

1. Remove safety barrier screen (Figure 4) by prying the top portion of the screen toward you, then lift the screen from its tabs (inset located at the base of the door frame).
2. Remove the TC Finishing Touch Trim Kit from the door frame. (If installed)
3. Using a screwdriver (Figure 5) or other similar object, push against the notch in the top of the latch and grab the bottom of the latch handle as it protrudes (Figure 6). Lift handle until latch hook disengages. Repeat for other side while holding glass so it does not tip out.
4. Tilt the top of the door frame out to clear the top edge of the unit. Grasp the sides of the frame and lift up and out to disengage from its bottom track.
5. Place the door frame in a safe place to avoid damage.
6. Re-assemble in reverse order. Latch handle should snap into place and be flush with door frame when engaged correctly.
7. Reinstall Trim Kit if required.
8. Reinstall safety barrier screen.

**TIP:**

To ensure glass is properly latched, grasp the top left and right sides of the glass frame, under moderate pressure it should pull forward and return to original position evenly on both sides.

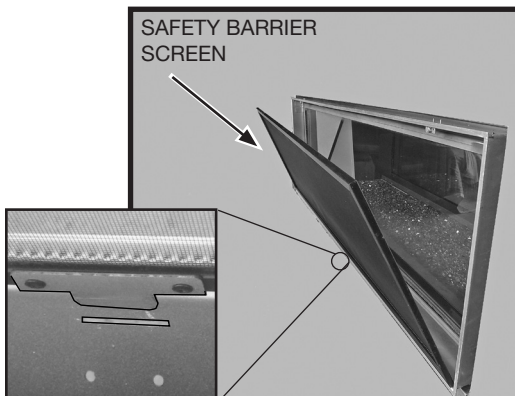


Figure 4: Safety barrier screen.



Figure 5: Accessing handle.

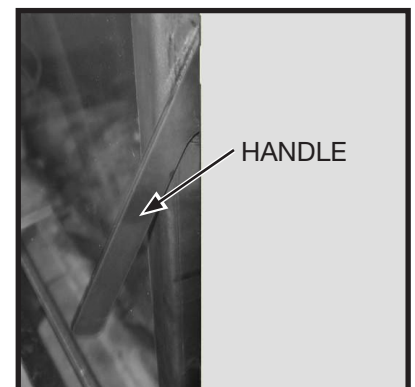


Figure 6: Handle.

## Top Standoffs

The standoffs are shipped loose inside the fireplace and must be installed on the top and the side of the fireplace as shown in Figure 7. Do this once the fireplace is on site and in position.

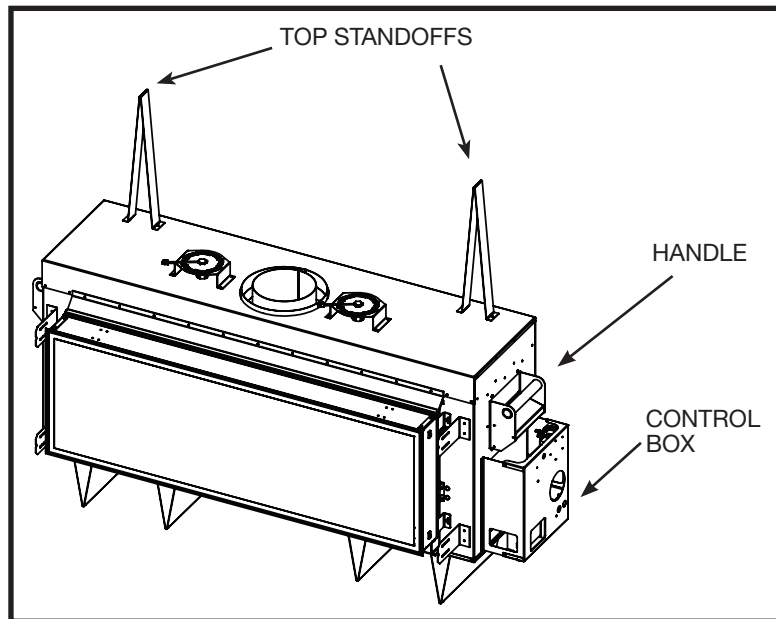


Figure 7: TCWS54D Stand offs.

## Locating The Fireplace

In planning the installation for the fireplace, it is necessary to determine where the unit is to be installed, location of vent system and where gas supply piping may be plumbed. Various installations are possible, such as, into an existing wall, a corner, a built-in wall or a wall projection (Figure 9). Due to high temperatures, do not locate this fireplace in areas of high traffic or near furniture or draperies.

**The minimum clearances from the fireplace to combustible surfaces must be adhered to and are shown in Figure 2 and Figure 3.**

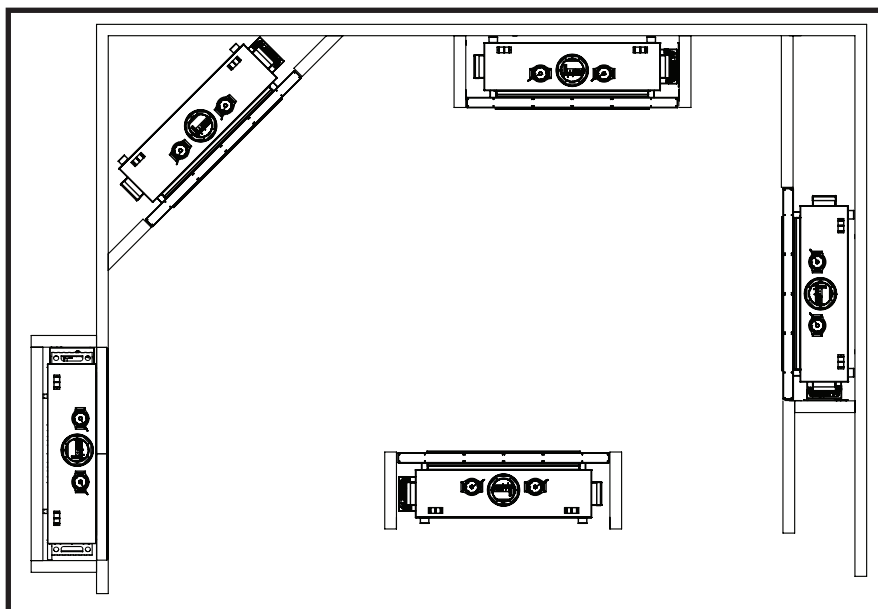


Figure 8: TCWS54D Possible locations.



# Framing and Finishing

**Note: The fireplace should be in place and venting installed before framing in or building an enclosure around the unit.**

The Town & Country fireplace must be framed in as described below or totally enclosed with non-combustible material, such as facing brick.

Determine the total thickness of facing material to be used. A thickness of 3/4" will allow the finishing surface to be flush with the front of the unit. If preferred, additional masonry type non-combustible material can be installed above and to the sides up to 6 inches forward of the appliance. The finishing material must not interfere with glass frame access.

A Steel Stud Framing Kit is supplied with the fireplace and must be used unless the fireplace is totally enclosed with non-combustible material. Assemble the framing kit as per the instructions on pages 11 - 13 of this manual. Attach the steel frame to the fireplace once the fireplace is in its final position. Secure

the steel frame to the framing brackets on each side of the unit. Ensure that the studs are set back far enough to allow for thickness of finishing surface.

The sides, back and top of the fireplace can be framed in up to the steel studs and the fireplace standoffs using conventional lumber. Consult local building codes for specific requirements.

Due to high temperatures, non-combustible backer board, such as cement board or its equivalent, must be used to sheet in the front of the fireplace, extending 12" below, 12" above and 9 5/8" to the side of the framing edge bars (Figure 10). Standard sheetrock (dry wall) may be used beyond this.

If the backer board is not to be finished with other non-combustible material such as tiles, it is recommended that top sections of the board be a single sheet of calcium silicate board or its equivalent. Taped and mudded joints may crack due to the elevated temperatures.

## Chase Insulation:

When installing this fireplace against a non-insulated exterior wall or chase, it is recommended that the outer walls be insulated to same degree as other exterior walls. Do not place fireplace directly against the insulation. Cover the insulation and plastic vapour barrier with a solid surface, such as dry wall (sheet rock). Consult local codes. Do not insulate or use plastic vapour barrier within the framing kit.

**CAUTION: See "Figure 12" on page 9 BEFORE PROCEEDING.**

## NOTE:

**The chase must be properly sealed at the ceiling level or between floors in a multilevel installation.**

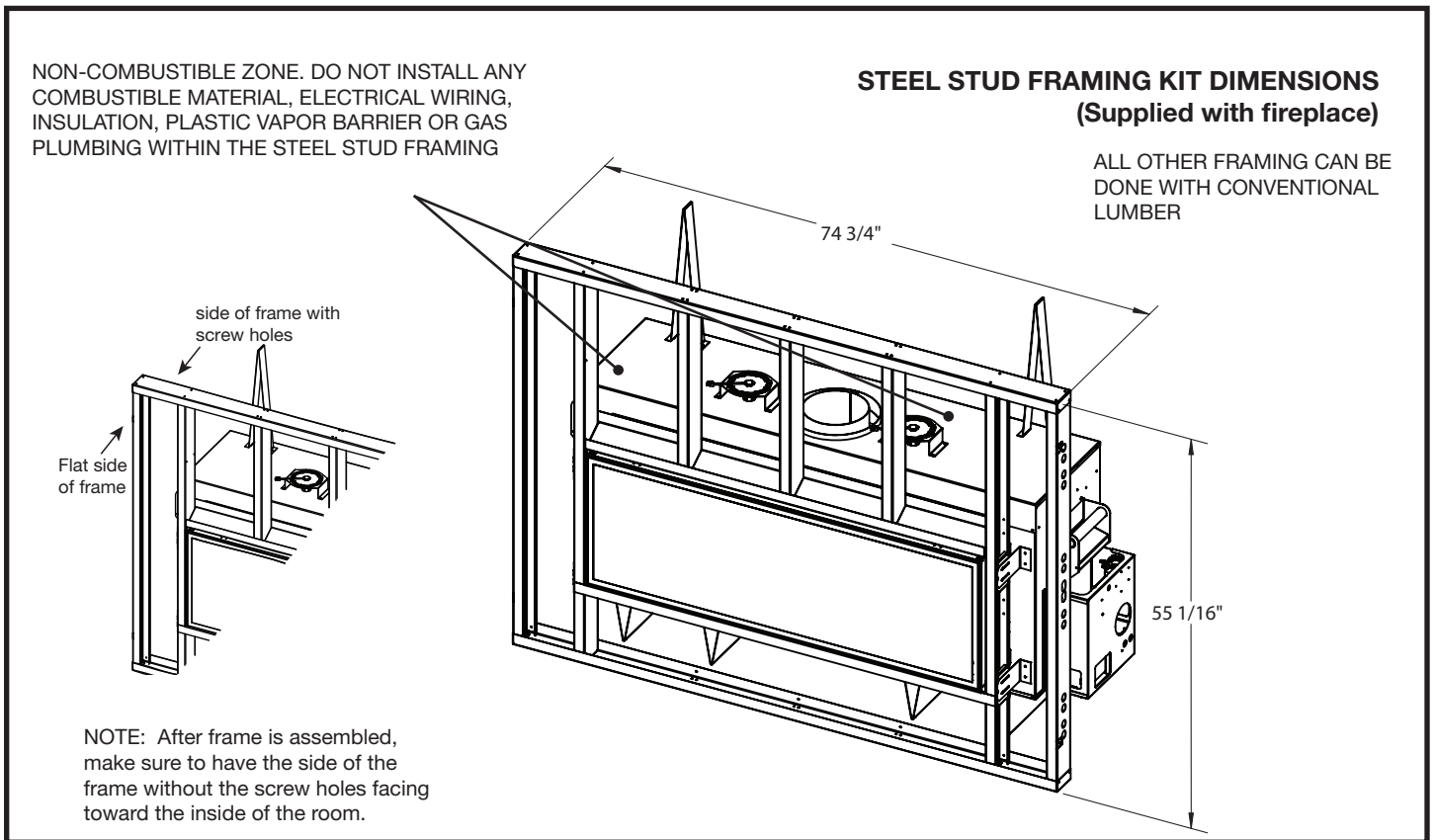


Figure 9: TCWS54D with steel frame.



# TCWS54D Minimum Combustible Framing Dimensions

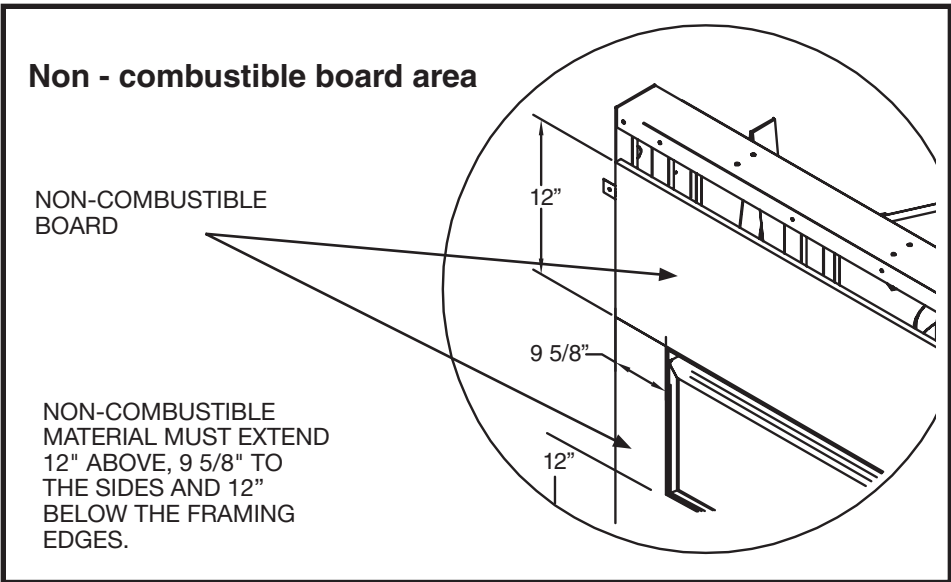


Figure 10: Non-combustible board within frame.

If finishing the wall above the unit with paint, the framing kit shipped with the unit should be discarded. Use full sheets of calcium silicate board or equivalent and full length metal studs to finish and frame around the unit.

Calcium silicate board is a high grade material with cement, quartz and natural minerals as the main raw materials. (Note: Calcium Silicate is 1/2" thick)

**CAUTION:** Calcium Silicate board can be damaged if dropped or struck. Handle with care. Inspect board prior to installation and do not use if cracked.

**NOTE:** It is recommended to pre-drill mounting holes in the board prior to securing to the framing. This will prevent the board from cracking.

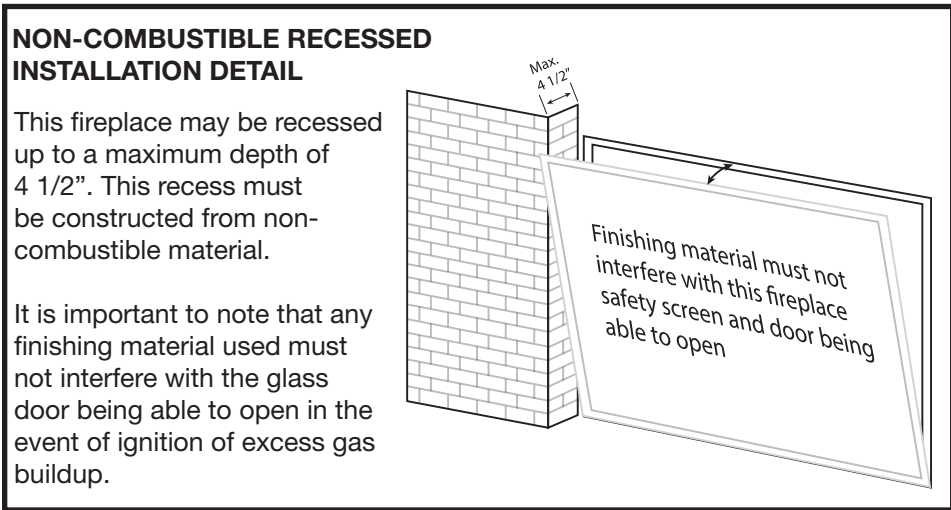


Figure 11: TCWS54D Recessed installation details.

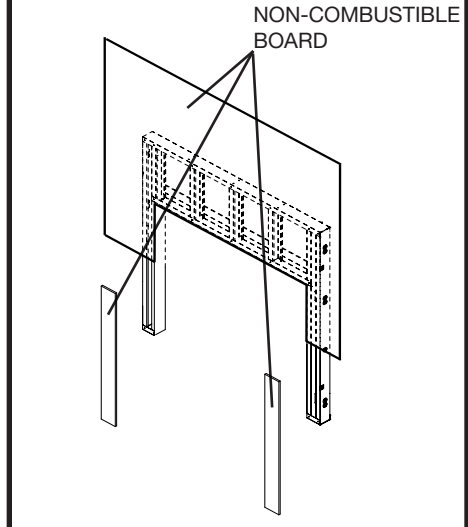


Figure 12: Non-combustible board location.

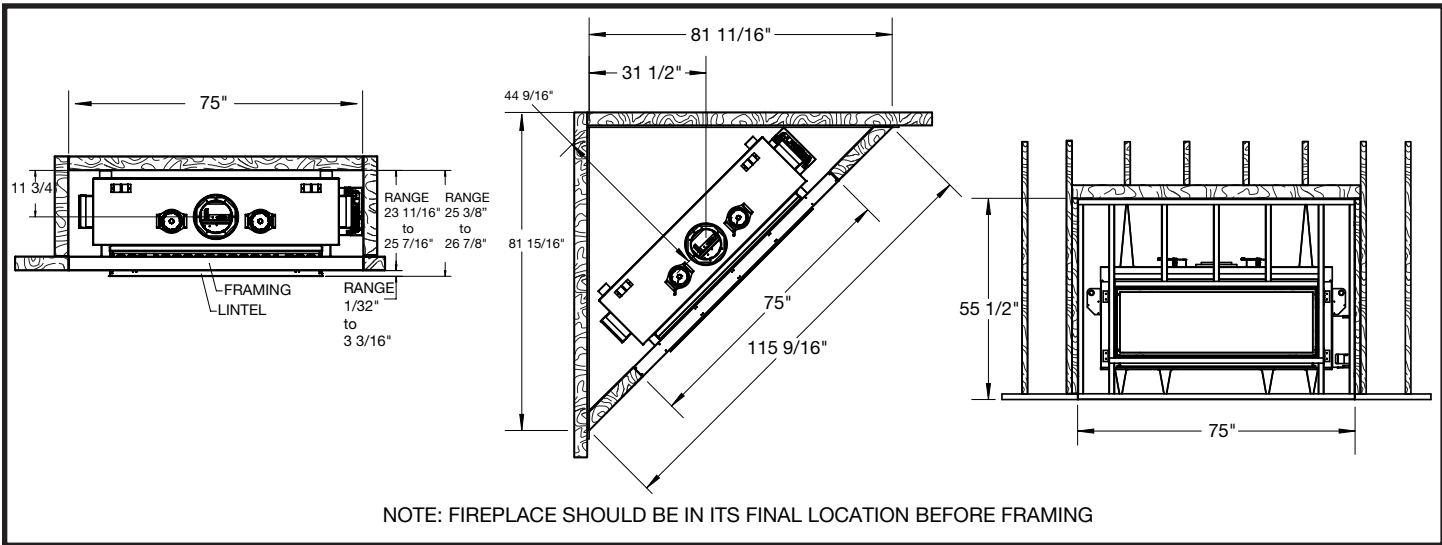


Figure 13: TCWS54D Minimum combustible framing.



# Steel Stud Framing Kit

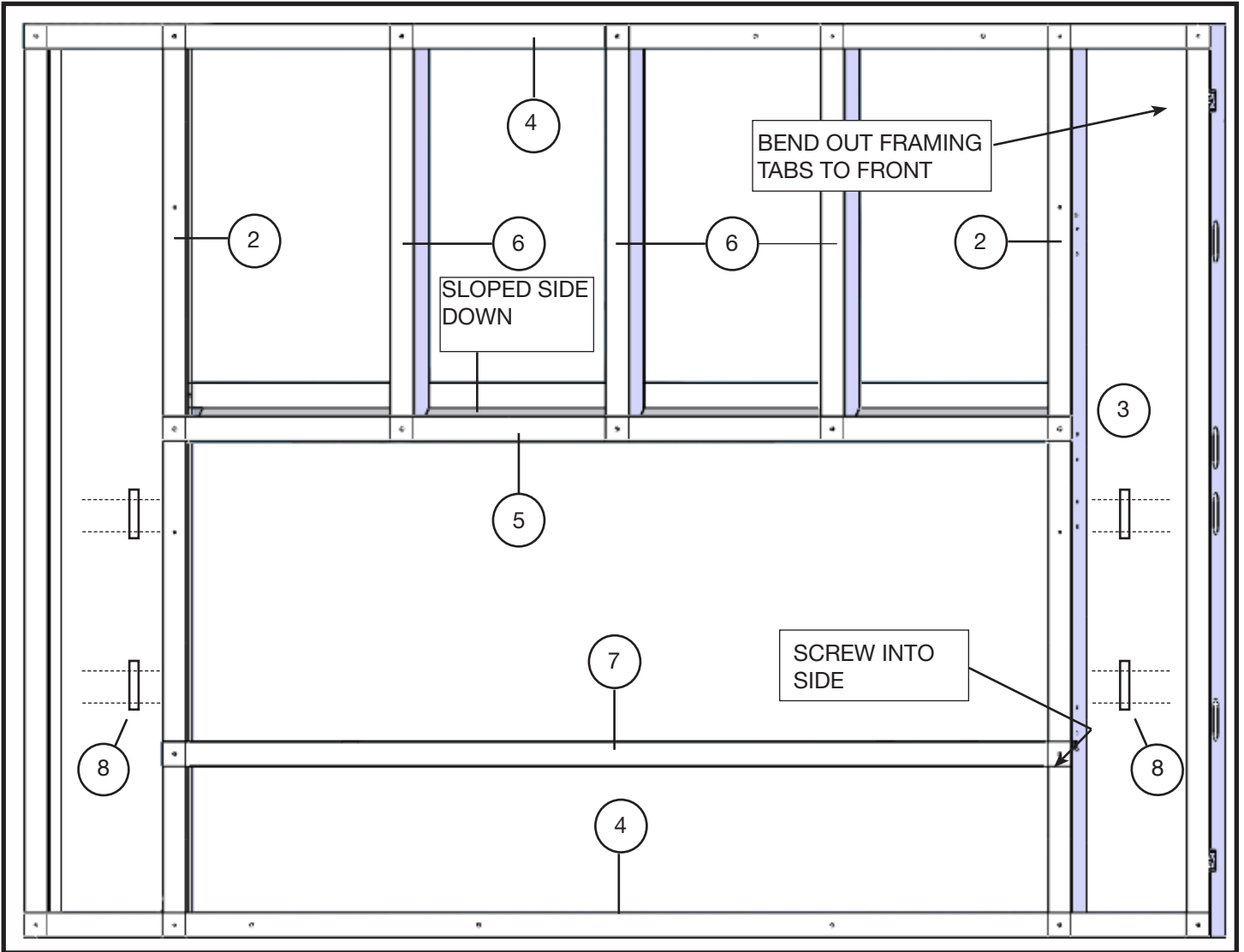


Figure 14: TCWS54D Framing kit.

FRONT VIEW (slightly angled)

### Each Kit Contains:

Item	Description	Qty.
1	SCREW, WAFER #8 x 1/2 (Not shown)	Pkg 40
2	STUD, SIDES 55" L	2
3	STUD, OUTER SIDES 55" L	2
4	STUD, UPPER/LOWER 74 3/4" L	2

Item	Description	Qty.
5	INNER CROSS BRACE 56 5/8 L	1
6	STUD, CENTER 25" L	3
7	LOWER CROSS BRACE 56 5/8 L	1
8	FRAMING PLATE	4

## Frame Assembly

1. On a flat surface, place 2 upper/lower studs (#4). One is to become the top-most horizontal stud and one is to become the bottom-most horizontal stud. Stand all pieces up on their narrow ends throughout assembly.
2. Place 3 center studs (#6) perpendicular to, and below the above horizontal beam at the beams 3 middle-most securing points. Make sure that the lower pointed ends of the center studs are closest to you. Use wafer screws (1) to join the top side of the vertical pieces to the horizontal piece.
3. Position Inner Cross Brace (#5) horizontally along the bottom ends of the 3 center studs (#6) and fasten with wafer screws to the center-most 3 positions along the cross brace. Cross brace should be perpendicular with the center studs and horizontal to the upper beam.
4. Position Side Studs (#2) at each end of the assembled frame so that the side studs are vertical and perpendicular to the upper stud and inner cross brace. Use wafer screws to fasten the side studs to the assembled frame.
5. Position the Lower Cross Brace (#7) - screen tab slots side up - between the two side studs and about 12" from the lower ends of the side studs. Attach each end of the lower cross brace to the side studs with wafer screws.
6. Place the lower horizontal beam at the bottom-most end of the frame. Attach the lower beam to the side studs leaving the ends of the lower horizontal beam extending out past the side studs so that it positioned in line with the upper horizontal beam.
7. Place and attach the two Outer Side studs at the ends of both the upper and lower beams and attach with wafer screws.
8. Once the top side of the frame is complete, turn it over so that the wafer screws can be used to fasten the other side of the frame.
9. Align the assembled frame to the unit framing plates (#8). Attach at the fastening points through the access holes (Figure 15) in the outer side studs (#3).

**NOTE: Sheet metal parts have sharp edges, use caution when handling.**

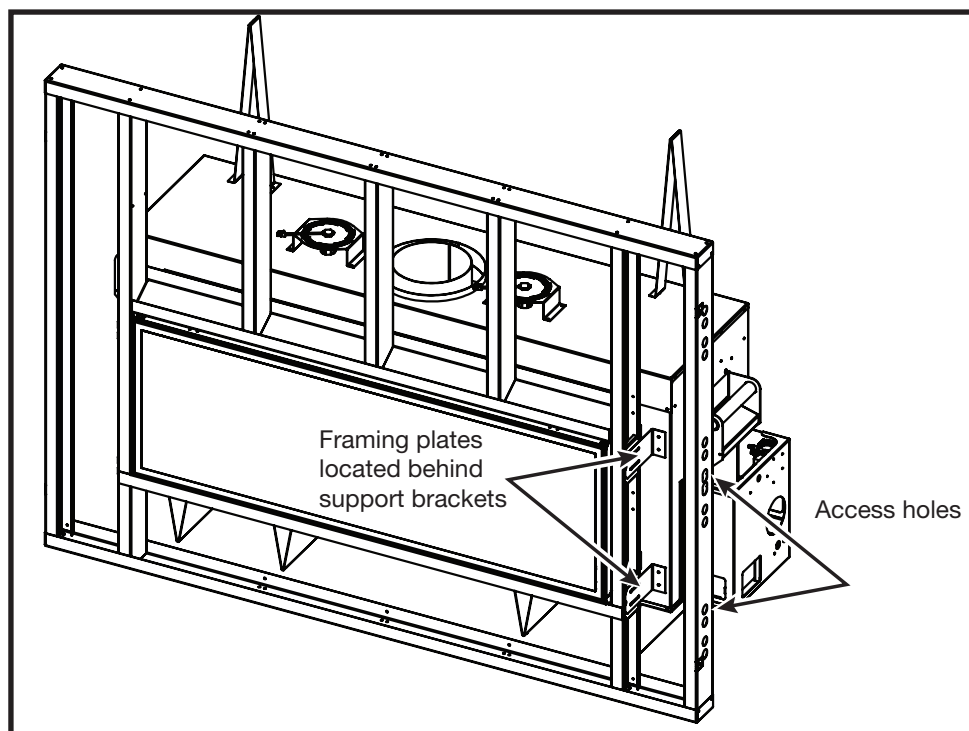


Figure 15: Aligning steel frame to fireplace.



**Attach the Assembled Frame and fireplace to the combustible framing.**

Bend out the tabs 90 degrees before inserting the unit into its framed housing (Figure 16).

Attach the assembled framing kit to the Fireplace.

Secure the frame assembly to the wood frame through the tabs (Figure 17).

**Install Non-Combustible Board**

Use drywall screws, to install the non-combustible board.

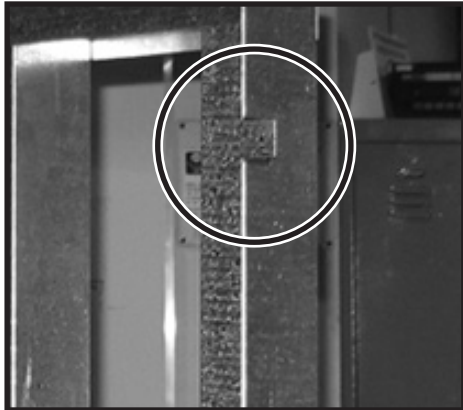


Figure 16: Bend tab out 90 degrees.



Figure 17: Attaching metal tab to frame.

---

## Fixed Lintel

---

### Framing Kit Adjustment

The lintel on the TCWS54D2 is in a fixed position on the fireplace and so there is no adjustment to move the lintel toward you or away from you once the fireplace has been located in its final position. Instead, the fireplace itself must be manoeuvred so that the front of the fireplace determines the final position.

The Framing Kit allows for a 1 7/8 inch adjustment along the Framing Brackets. Use this range to help determine the front of the facing material.

The thickness of the facing material, whether 1/2 inch calcium silicate board or a rock facing must be taken into consideration before settling on a final position of the fireplace. See “Fireplace Facing Allowance” on page 13.

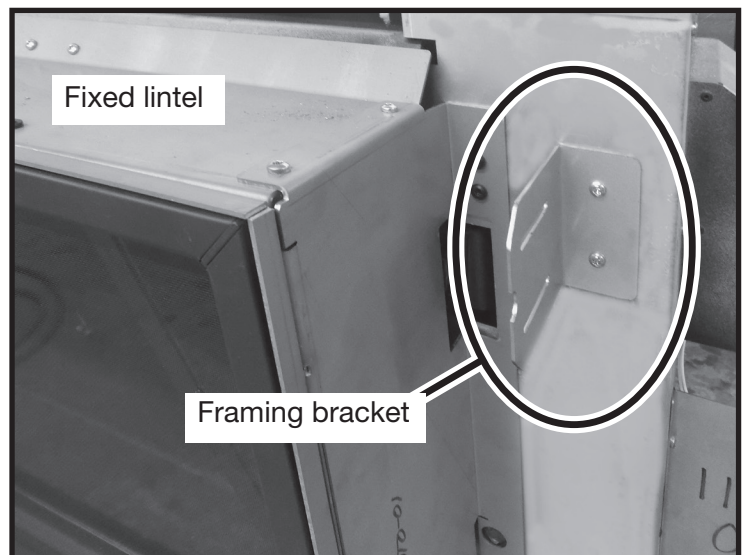


Figure 18: Fixed lintel and framing bracket.

---

## Fireplace Facing Allowance

---

This fireplace is designed to finish either flush with the facing material or can be installed with a 4 1/2 inch recess, See “Figure 11: TCWS54D Recessed installation details.” on page 9.

The fireplace can accommodate facing material thickness from 1/2 of an inch to 2 1/4 inches if installing flush.

Care should be taken to correctly determine the facing material thickness so that the fireplace is positioned so that the front of the fireplace is flush with the facing material.

Facing material must not interfere with the ability for the door or the screen to open.

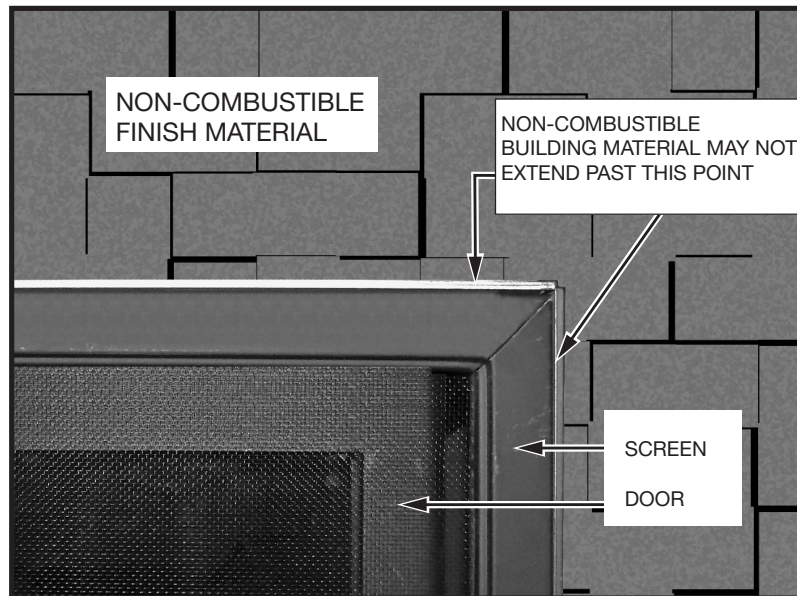


Figure 19: Facing edge location.

---

## Electrical

---

The gas control system is located on the right hand side of the firebox behind an access panel and the decorative firebox panel (if installed). The fireplace is operated via a wall control and a hand held remote control unit.

**Note: Installation must be performed by a qualified installer, service agency or gas supplier.**

The wall control is connected to the fireplace by a 40 ft. communication cable supplied with the fireplace.

### Installation

1. Place the fireplace in the desired location.
2. Remove the door from the fireplace.
3. Remove access panel from right hand side of the firebox (Figure 20).



- Lift the control box heat shield from the bottom opening to clear the location tabs and pull inwards. Lower the heat shield to clear the top tab. Lift the heat shield and locate on the screw above the opening.

**Note: The flex lines may have to be pushed down to allow the shield to be lowered enough to clear the top tab.**

- Connect 110 V. AC electrical supply to the wires installed inside the junction box (Figure 23). The fireplace is rated at 110 volts, 60Hz, 0.25A. The optional power vent kit is rated at 115 volts, 60Hz, 1.8A.
- The electrical wires can be accessed from both inside and outside the junction box by removing one of the two small access panels (Figure 23 and Figure 24).
- Attach the wall switch to the framing in the desired location (40 ft is supplied with fireplace).

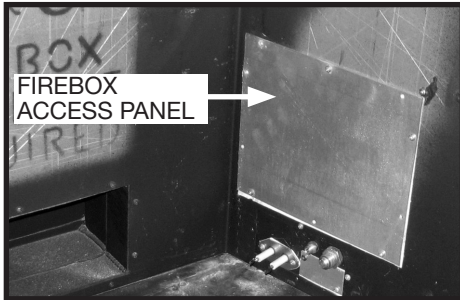


Figure 20: Firebox access panel.

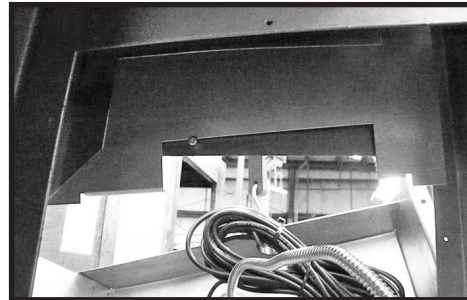


Figure 21: Heat shield raised.

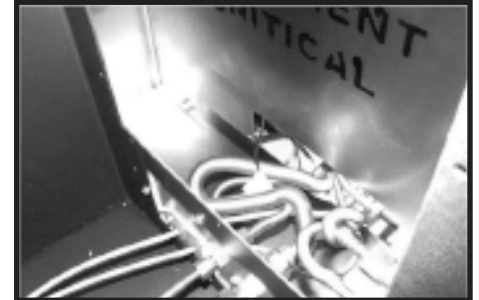


Figure 22: Heat shield.

- Route the wall switch control cable (supplied) as required to the wall switch (Figure 26).
- Attach one end of the wall switch control cable to the wall control (Figure 26), and the other end to the interface board (Figure 24).
- Insert the 4 supplied “AA” batteries into the battery pack of the wall switch (Figure 27).
- If not already installed, install the burner using the instructions supplied with the burner kit.
- Turn on the gas supply and check that all connections are tight and leak free.
- Turn on gas and electrical supplies.
- Move the center button on the wall control (Figure 25) to the “ON” position. The igniter will start to spark. After a short delay, the pilot will light followed by the main burner.

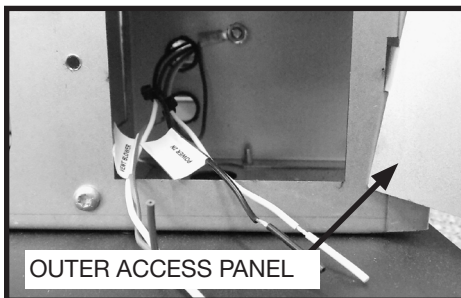


Figure 23: Junction box wiring.

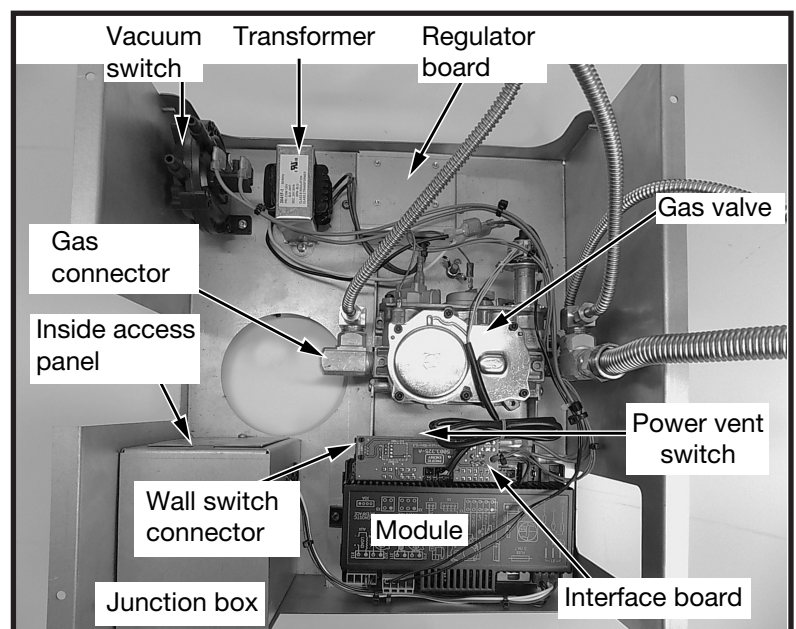


Figure 24: Control box.

## Wall Switch and Remote Control



Figure 25: Town and Country wall switch.

### Linking the remote control unit to the wall switch.

1. Begin by moving the selector toggle on the wall switch to the "REMOTE" position.
2. Insert a straightened paper clip into the "PROGRAM" slot on the wall switch.
3. Press the internal "PROGRAM" button once and wait until you hear 3 beeps from the wall switch.
4. Press the ON/OFF button of the remote unit. Once the wall unit beeps 3 times, the remote is programmed.
5. The toggle on the wall switch must be kept in the "REMOTE" position in order to use the remote control unit.

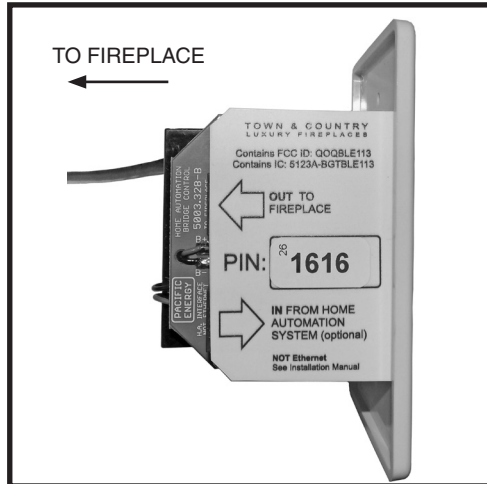


Figure 26: Wall switch - interface side.

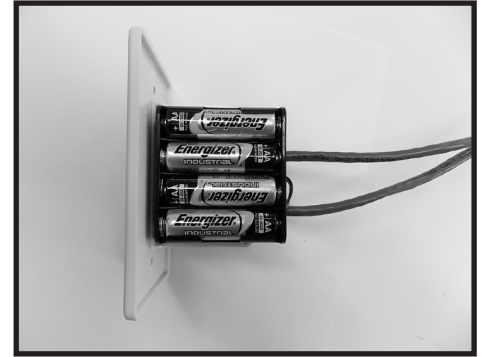


Figure 27: Wall switch - battery side.

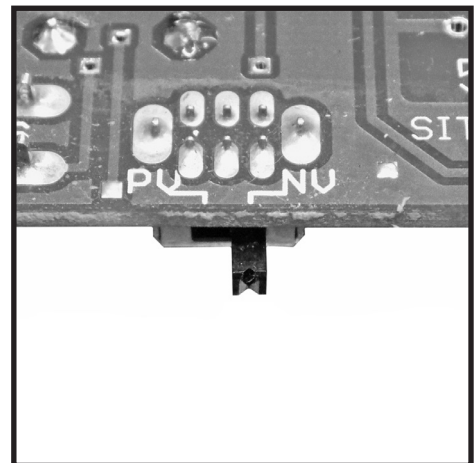
## Wall Switch to IFC Communication Cable Continuity Check

It is important that the continuity of the individual wires encased within the communication cable be checked before the cable is plugged into both the wall switch and the IFC Module. This will ensure that the cable is in good condition before the cable is walled in or otherwise covered up. Provided that no staples, screws or nails accidentally impale the cable during the walling up process, or any cables have otherwise been cut, the cable itself will be able to be ruled out as a possible cause should trouble shooting the wall switch be required.

## Selecting Natural Vent and Power Vent Modes

The NV / PV (Natural Vent / Power Vent) switch (Figure 28) on the interface board (Figure 24) is set according to which type of evacuating vent system is present. If the fireplace is vented without the assistance of a power vent, the switch must be set to "NV". If using a power vent, "PV" must be selected. Follow the instructions provided with the power vent kit for proper installation.

Figure 28: Vent mode selection switch.



# Home Automation

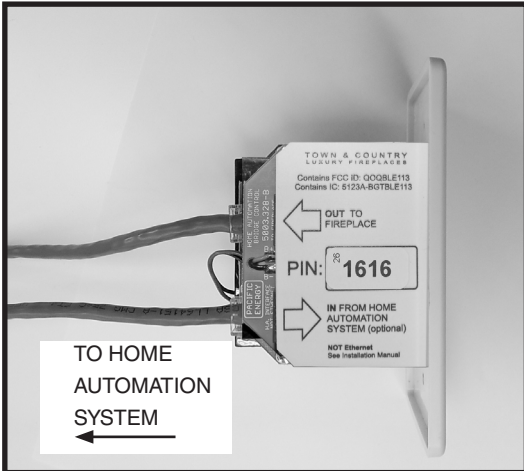


Figure 29: Complete communication wiring.

The home automation feature supplied with this fireplace is capable of controlling the flame and light on/off function with the use of a dry contact relay common to home automation systems. Furthermore, the flame and light level may be modulated from high to low using the 0 - 10 volt analog output available on most home automation systems.

Figure 29 shows the wire designations required to connect the fireplace to a home automation system.

## NOTE:

When a signal has been supplied by the home automation system, the fireplace control will repeat the signal every 2 hours or until a new command has been received.

Leave the wall switch on the “Remote” setting when using home automation.

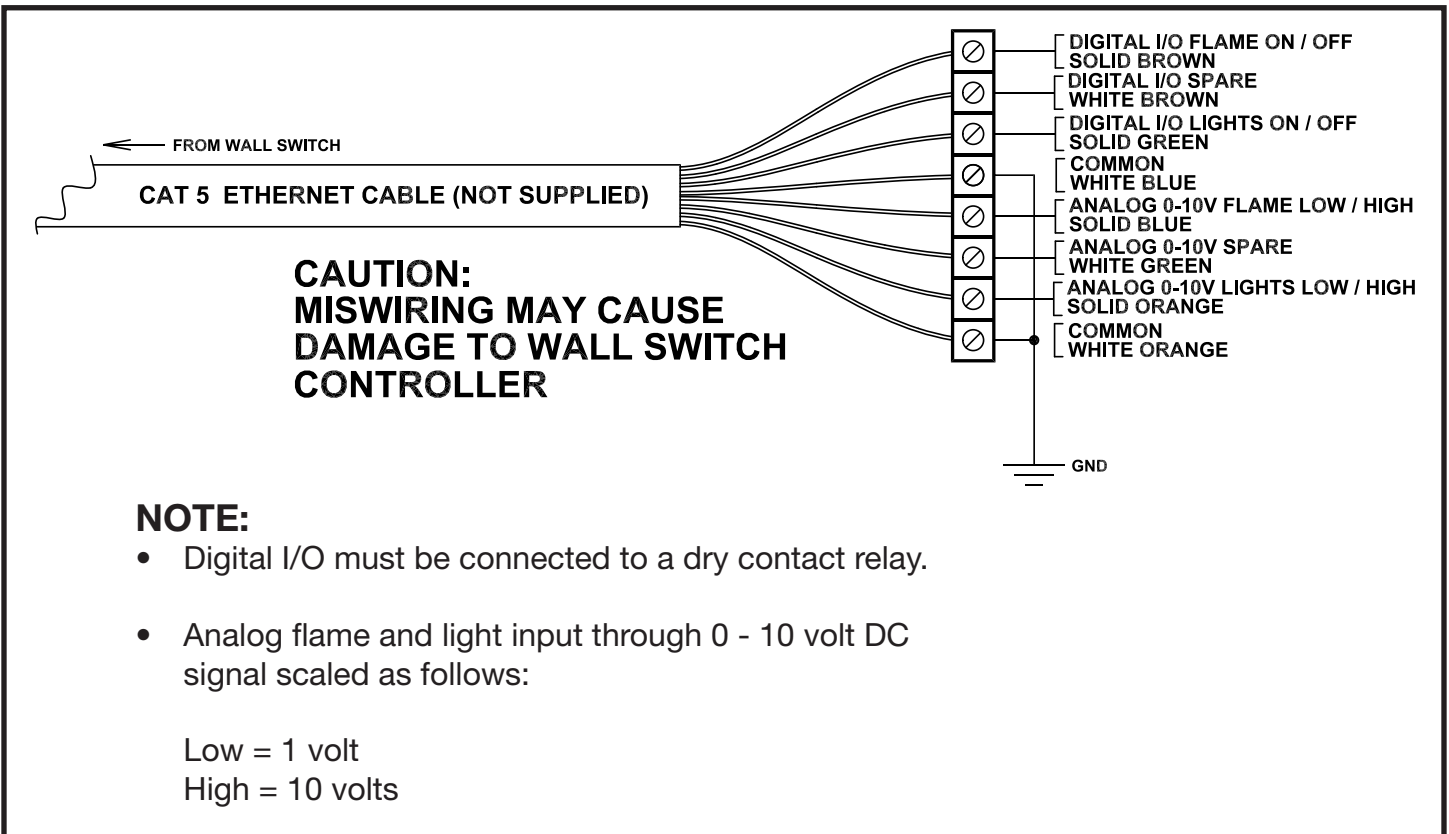


Figure 30: Home automation wiring.



## Gas Supply

**Caution:** The gas line should be installed by a qualified service person in accordance with all building codes. This section is intended as a guide for qualified technicians installing this appliance. Consult local and / or national building codes before proceeding.

Gas supply line access holes are located at the top and left sides of the Control Box. Gas valve inlet accepts a 3/8" N.P.T. fitting. Correct gas line diameter must be used to assure proper operation and pressure.

**NOTE:** This fireplace has an input rate of 54,900 BTU/HR on both Natural Gas and Propane.

It is essential that a union or flanged connection be installed just upstream of the valve and inside the control compartment to allow for repair or replacement of the gas valve.

**NOTE:** A sediment trap, as per national fuel gas code, must be installed in the gas supply line no more than 6 feet from the gas control valve to minimize the possibility of any loose scale or dirt within the gas supply line from entering the control valve.

**DO NOT HARD PIPE GAS LINE TO VALVE.** A method of disconnecting the valve from the gas line such as a union or flare fitting must be provided to allow for repair or replacement of the gas valve.

**Check local codes for additional requirements.**

1. Connect the gas supply to the valve (Figure 24).
2. Turn on the gas supply and check that all connections are tight and leak free.

**WARNING: The access panel including gasket must be reinstalled after conversion/installation or servicing has been completed. Failure to do so will cause overheating and premature failure of the control system.**

## Gas Pressure Check

Note: To test the gas pressure, turn off the gas supply before removing the plug from the supply pressure test port or manifold pressure test port.

Verify gas pressures with the fireplace lit and on the highest setting.

Please refer to the Burner Installation Manual for gas pressure testing procedure.

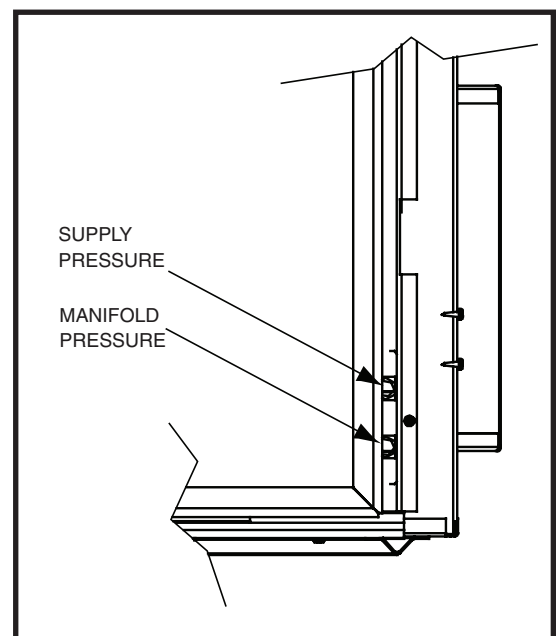


Figure 31: Test ports.

### Correct gas pressure requirement:

	Natural Gas	Propane
<b>Min. Pressure</b> <small>(For purpose of input adjustment)</small>	<b>5.0" WC</b>	<b>12.5" WC</b>
<b>Max. Pressure</b>	<b>13.9" WC</b>	<b>13.9" WC</b>
<b>Manifold Pressure</b>		
<b>Maximum</b>	<b>3.5" WC</b>	<b>10" WC</b>
<b>Minimum</b>	<b>1.6" WC</b>	<b>6.4" WC</b>



---

# Venting

---

Before installing venting for this unit, the installer should read these instructions to insure that the proper vent configuration has been selected.

Use only Town and Country Termination kits #:  
TCVT.RTA - Roof Termination Kit

For vent system components approved for use with the Town and Country Fireplace, See "Vent System Components" on page 18.

**NOTE: Optional Power Vents (TCVT.PVI.25, TCVT.PV7.110 & TCVT.PVCV) require different venting. Please refer to Power Vent manuals.**

Various combinations of vent runs may be used. See "Figure 34: Roof venting chart." on page 20 for details. For optimum performance and flame appearance, keep the vent length to a minimum and limit the number of elbows. Connections between each vent system component must be tightly joined, secured with sheet metal screws and sealed with provided high temperature self adhesive tape.

VENT SUPPORTS: A minimum of 1 support every 4' must be used.

**CAUTION: UNDER NO CONDITION SHOULD COMBUSTIBLE MATERIAL BE CLOSER THAN 1 3/4 INCHES FROM THE TOP AND 1 3/4 INCHES FROM THE SIDES OF A HORIZONTAL SECTION AND 1 3/4 INCHES FROM THE VERTICAL SECTIONS OF THE VENT PIPE.**

---

## Wall Termination Venting

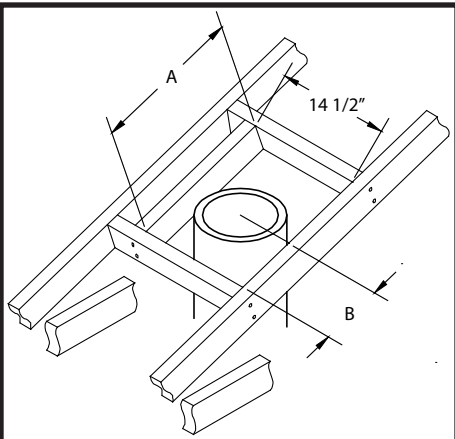
---

This fireplace can only be wall terminated using the TCVT. PV1.25 or TCVT.PV7.110 power vent kit. Please see the instructions supplied with the kit for installation details.

### Vent System Components Town & Country

12" Pipe Length.....	TCVT.811X12
18" Pipe Length.....	TCVT.811X18
24" Pipe Length.....	TCVT.811X24
48" Pipe Length.....	TCVT.811X48
12" Adjustable Pipe Length.....	TCVT.811X12ADJ
45° Elbow .....	TCVT.811XLB45
Wall/Offset Support .....	TCVT.811XOS
*A minimum of 1 support every 4' must be used.*	
Roof Termination Kit .....	TCVT.RTA
Wall Shield/Ceiling Firestop.....	TCVT.THIMA
Roof Flashing, Adjustable .....	TCVT.811FLADJ
Roof Flashing, Flat .....	TCVT.811FLFLT
Roof Flashing, Steep .....	TCVT.811FLSTP
	or any flashing that fits 11" pipe

# Roof Termination Venting



**Size of the opening will have to increase with the pitch of the roof to ensure a 1 3/4" inch air space clearance between vent pipe and combustibles.**

Roof Pitch	A	B
0/12	14 1/2"	7 1/4"
4/12	16 1/2"	8 3/4"
6/12	18"	10"
8/12	19 3/4"	11"
12/12	24"	13 3/4"

## Ceiling Opening:

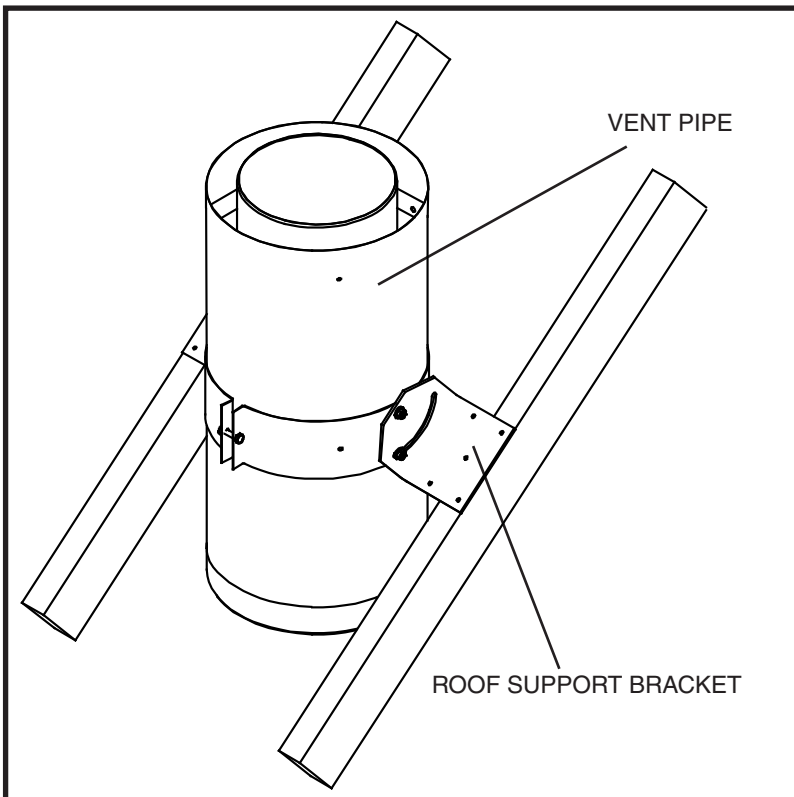
1. Determine the exact position of the fireplace so that the vent pipe is centered (if possible) between two building framing members. Lay out the vent system path, minimizing the number of elbows and length of vent. Consult your local building codes prior to proceeding.
2. Cut and frame a 14 1/2" opening in the floor, ceiling or roof where the vent system will pass. Size of the opening in the roof may need to be increased as the pitch of the roof increases. Avoid cutting rafters.

## Ceiling Firestop:

Where a vent pipe passes through a floor or ceiling, a ceiling firestop (TCVT, THIMA) must be used to retain insulation and maintain proper clearances.

From below, push the ceiling firestop through the opening and secure in place. If the firestop is used to penetrate a floor, the outer shield may be trimmed in length. If the firestop penetrates into an attic, leave the shield full length to keep insulation away from the vent pipe. Additionally, after the vent pipe is in place, install a storm collar on top of the shield. This will prevent loose insulation from falling into the area between the vent pipe and the shield.

Figure 32: Roof opening frame.



## Vent Pipe:

1. Install the first section of vent pipe into the collar on top of the fireplace. Secure in place with screws and seal with approved "High Temperature" self-adhesive aluminium tape provided.
2. Continue adding vent pipe lengths up and through the firestop(s) and through the roof. The vent pipe must extend at least 12" above the roof. Vent pipe may need to extend further depending on the roof pitch. For precise lengths, See "Roof Pitch Table" on page 23.

Seal the vent pipe as per "Vent Pipe Sealant" section.

## Roof Support Bracket:

Slip the roof support bracket down over the vent pipe. Rotate the 90° brackets to accommodate roof pitch. Attach the brackets to the roof joists with nails or building screws. Tighten the band around the vent pipe and secure in place with screws.

Figure 33: Roof support bracket.



# Roof Termination Venting Chart

This fireplace can be roof terminated using either the TCVT. PVCV power vent kit or the TCVT.RTA direct vent kit. Please see the instructions supplied with the kit for installation details.

Various combinations of vent runs may be used. Refer to Figure 34 for details. For optimum performance and flame appearance, keep the vent length to a minimum and limit the number of elbows. Connections between each vent system component must be tightly joined, secured with sheet metal screws and sealed.

### CAUTION:

**Under no condition should combustible material be closer than 1 3/4 inches from any part of the vent pipe.**

**Only 45° elbows can be used in this vent system. Maximum number of elbows is 2.**

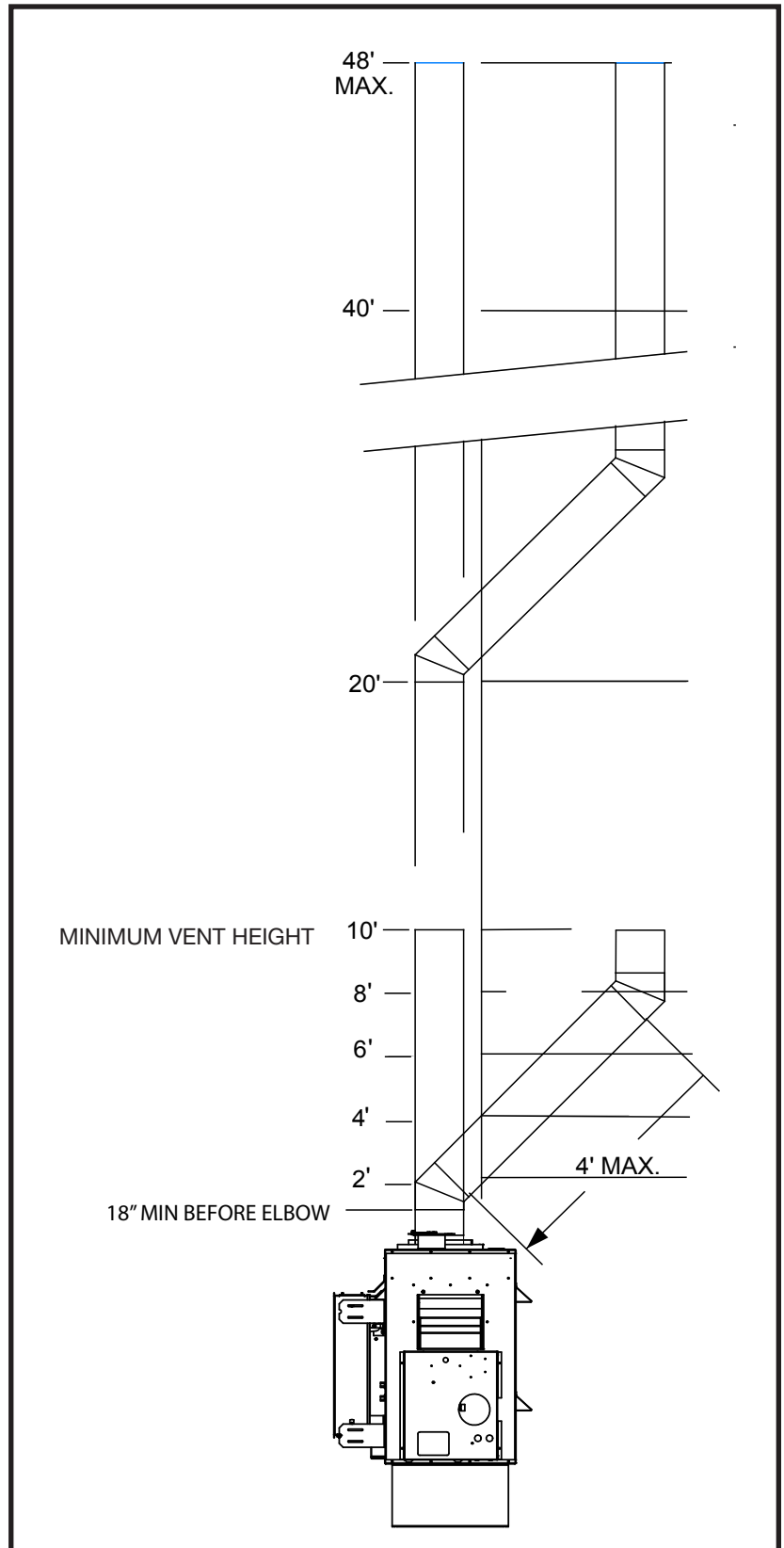


Figure 34: Roof venting chart.

## Roof Vent Terminal:

1. Place the roof flashing over top of the vent pipe and seal it to the roof using the methods and materials appropriate for the type of roof on the building. Shingle roof example shown (Figure 35).
2. Place the storm collar down over the vent pipe until it is level. Tighten storm collar for a snug fit. Apply a thick horizontal ring of mastic around the pipe at top of the storm collar.
3. Lower the roof vent terminal cap over the vent pipe and secure in place with screws provided. Seal screw heads and joint with caulking to prevent any moisture entering the venting system.

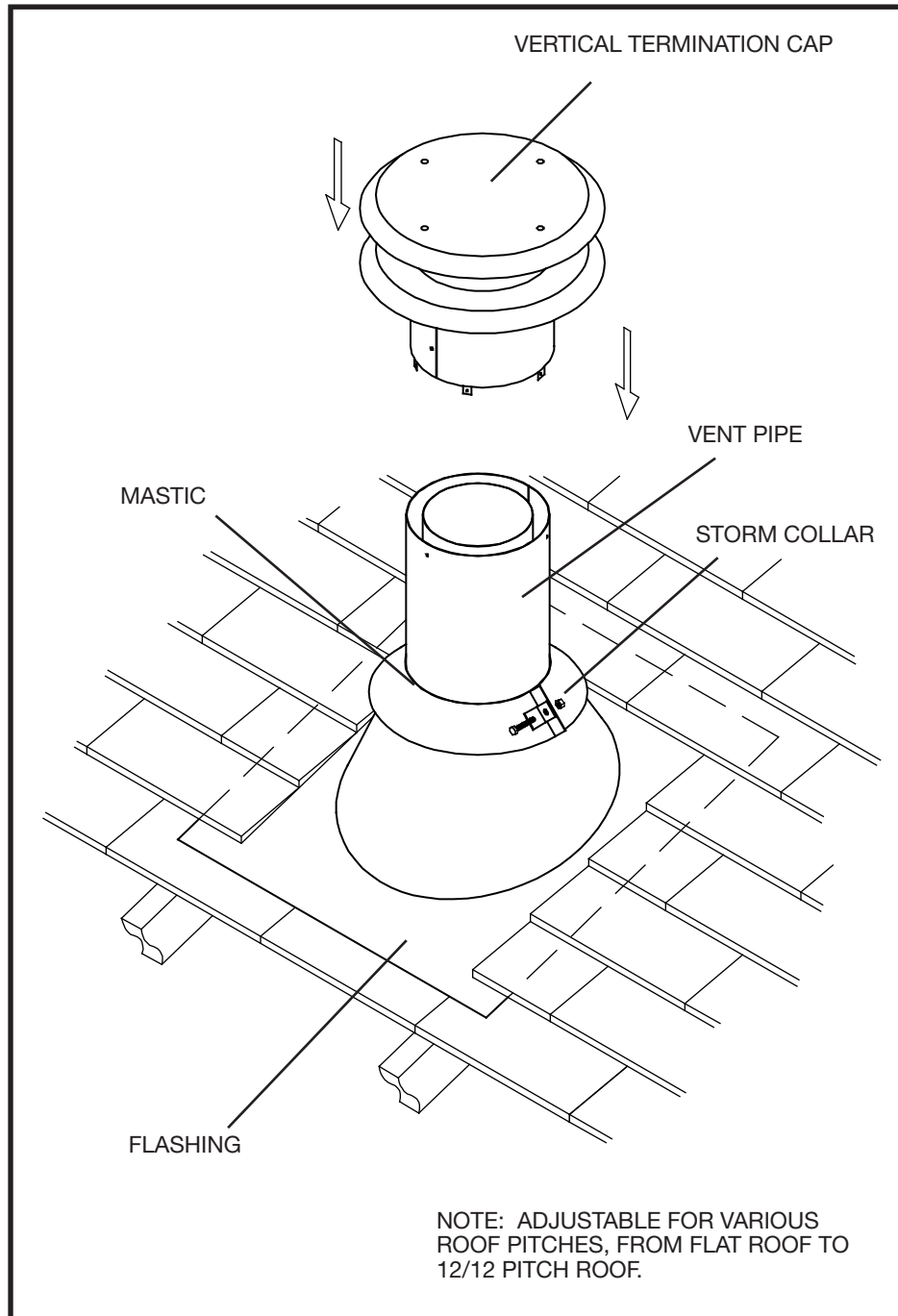


Figure 35: Roof vent terminal.



# Vent Terminal Minimum Clearances

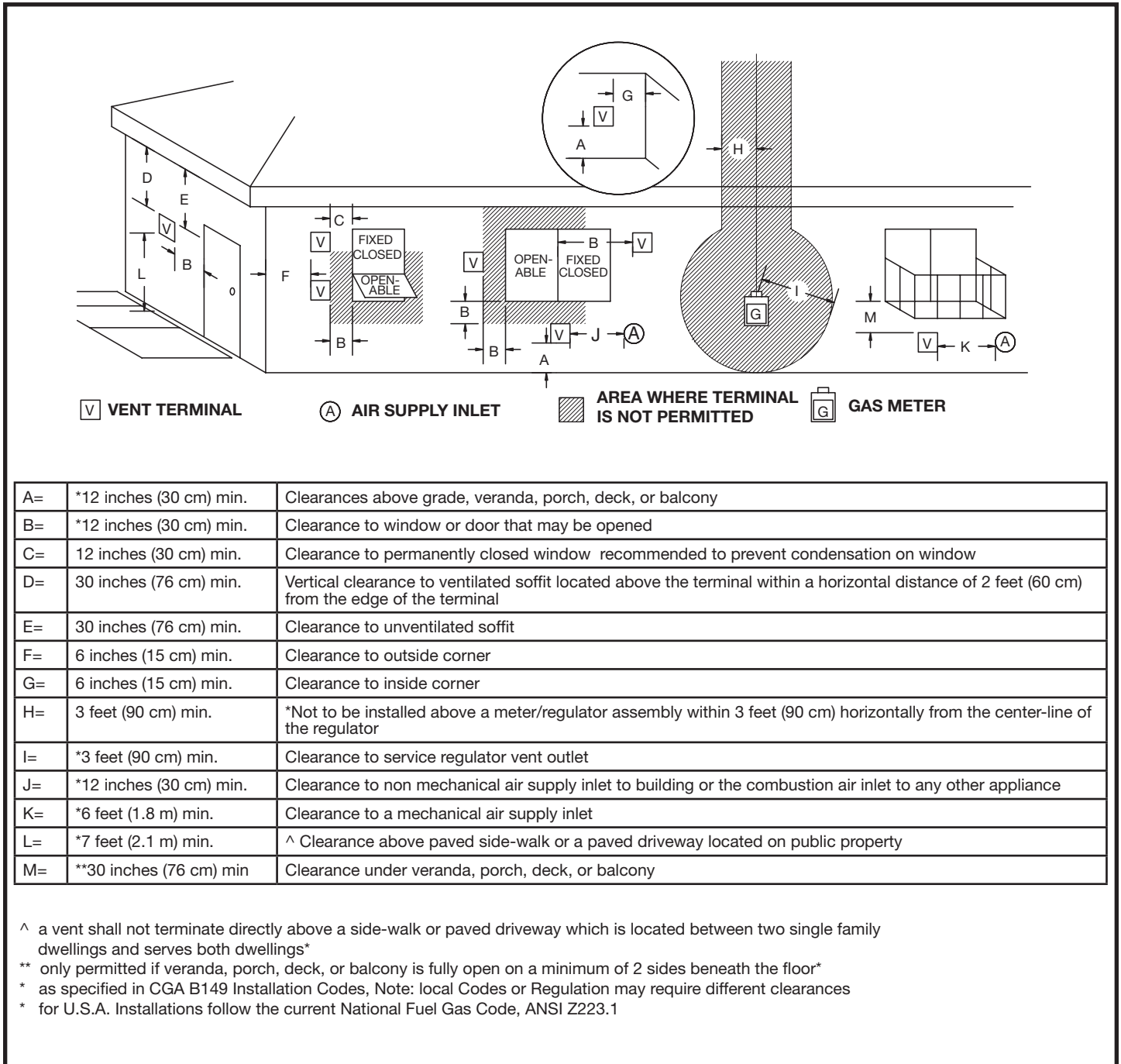


Figure 36: Vent terminal minimum clearances.

## Vent Terminal Clearance

Minimum clearances to the vent terminal must be maintained as shown in Figure 36 and Figure 37. Measure clearances to the nearest edge of termination hood.

**NOTE: Vent terminal must not be recessed**

**NOTE: LOCAL CODES OR REGULATIONS MAY REQUIRE DIFFERENT CLEARANCES.**

Roof Pitch Table	(minimum)	
	ft	m
Flat to 6/12	1.00	0.30
Over 6/12 to 7/12	1.25	0.38
Over 7/12 to 8/12	1.50	0.46
Over 8/12 to 9/12	2.00	0.61
Over 9/12 to 10/12	2.50	0.76
Over 10/12 to 11/12	3.25	0.99
Over 11/12 to 12/12	4.00	1.22

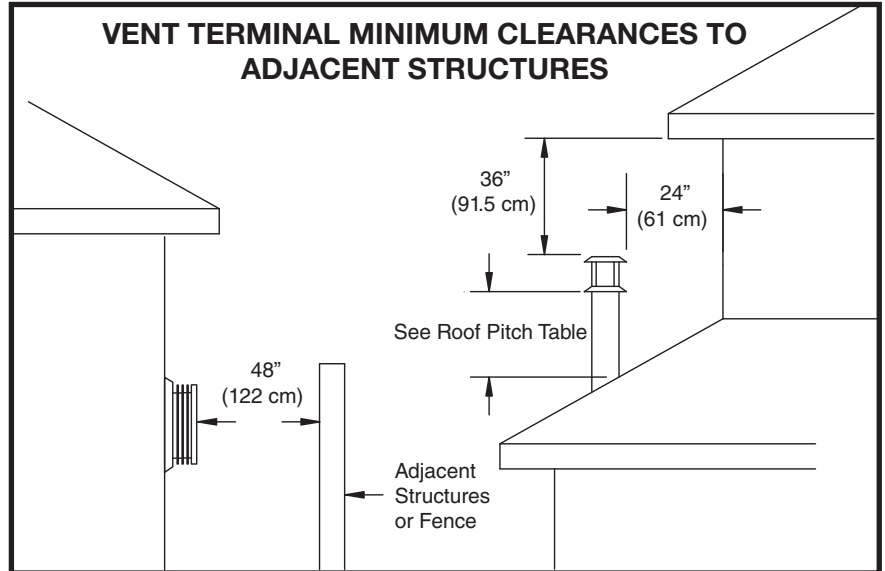


Figure 37: Vent roof clearance.

## Vent Pipe Sealant

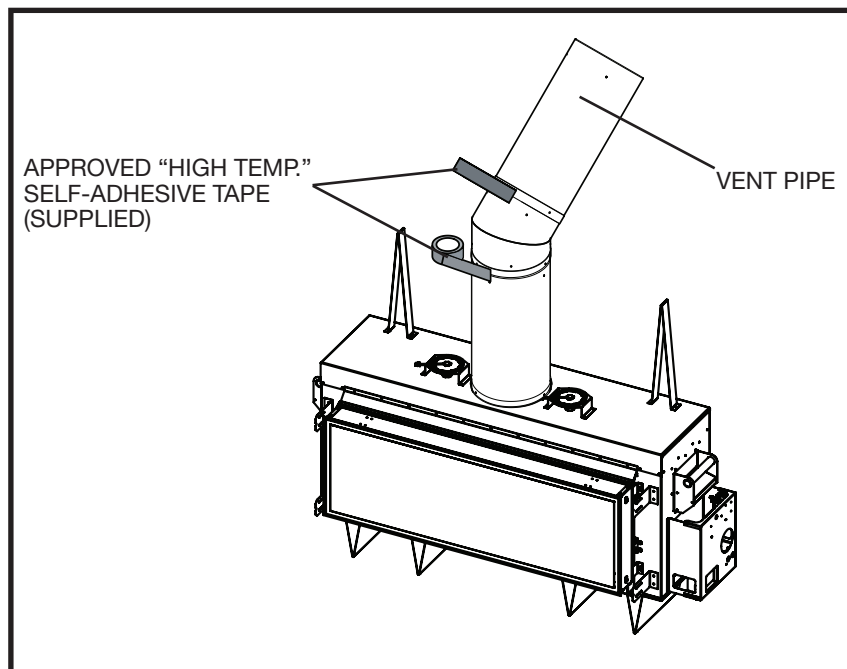


Figure 38: TCWS54D Sealing vent joints.

All outer joints of the vent pipe must be sealed with the approved "High Temperature" self-adhesive aluminium tape provided. Wrap the tape completely around the joint and press firmly in place. Inner pipe does not need to be sealed.



# Vent Restrictor Adjustment

The vent restrictor is located on the underside of the firebox top. The unit leaves the factory with the vent restrictor open. The restrictor is built into the appliance for secondary air flow adjustment. Adjustment enables tuning the airflow for optimum flame appearance and performance for a wide variety of vent configurations.

Setting:

- Determine the vent height.
- Determine the vent horizontal length.
- From the chart determine the restrictor position.

Refer to the chart (Figure 39) for the correct position of restrictor for the vent configuration of your installation. Restrictor positions are based upon lab tests. The ideal position may vary slightly with installation.

Restrictor position is too closed if the flame has the following characteristics:

- Flame is excessively tall and lifting.
- Flame lacks movement.
- Flame soots.

Restrictor position is too open if the flame has the following characteristics:

- Flame height is low.
- Flame has excessive movement.

To adjust the restrictor:

- Loosen the screw holding the restrictor.
- Move the restrictor to its intended opening.
- Re-tighten the screw.

**CAUTION: The vent restrictor must be fully open when using the power vent**

## WALL AND ROOF TERMINATION RESTRICTOR POSITION

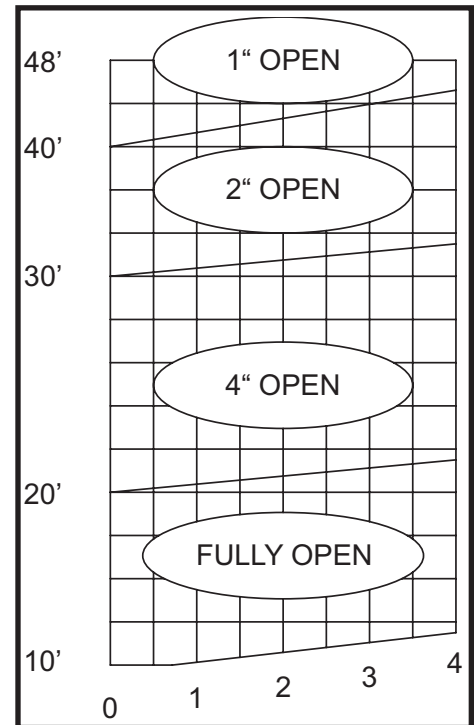


Figure 39: Restrictor rise and run chart.

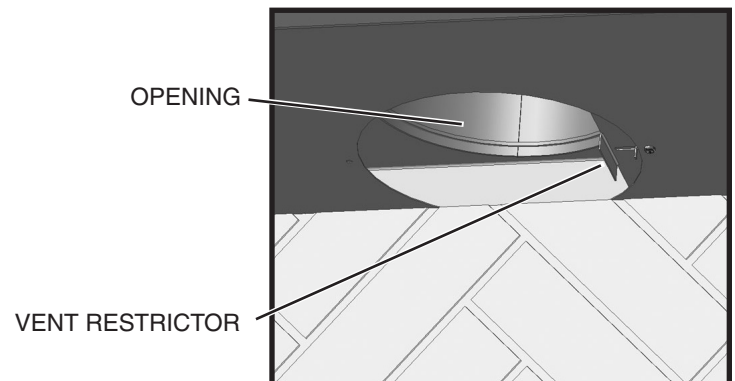


Figure 40: Vent restrictor.



# Roof Termination Kit

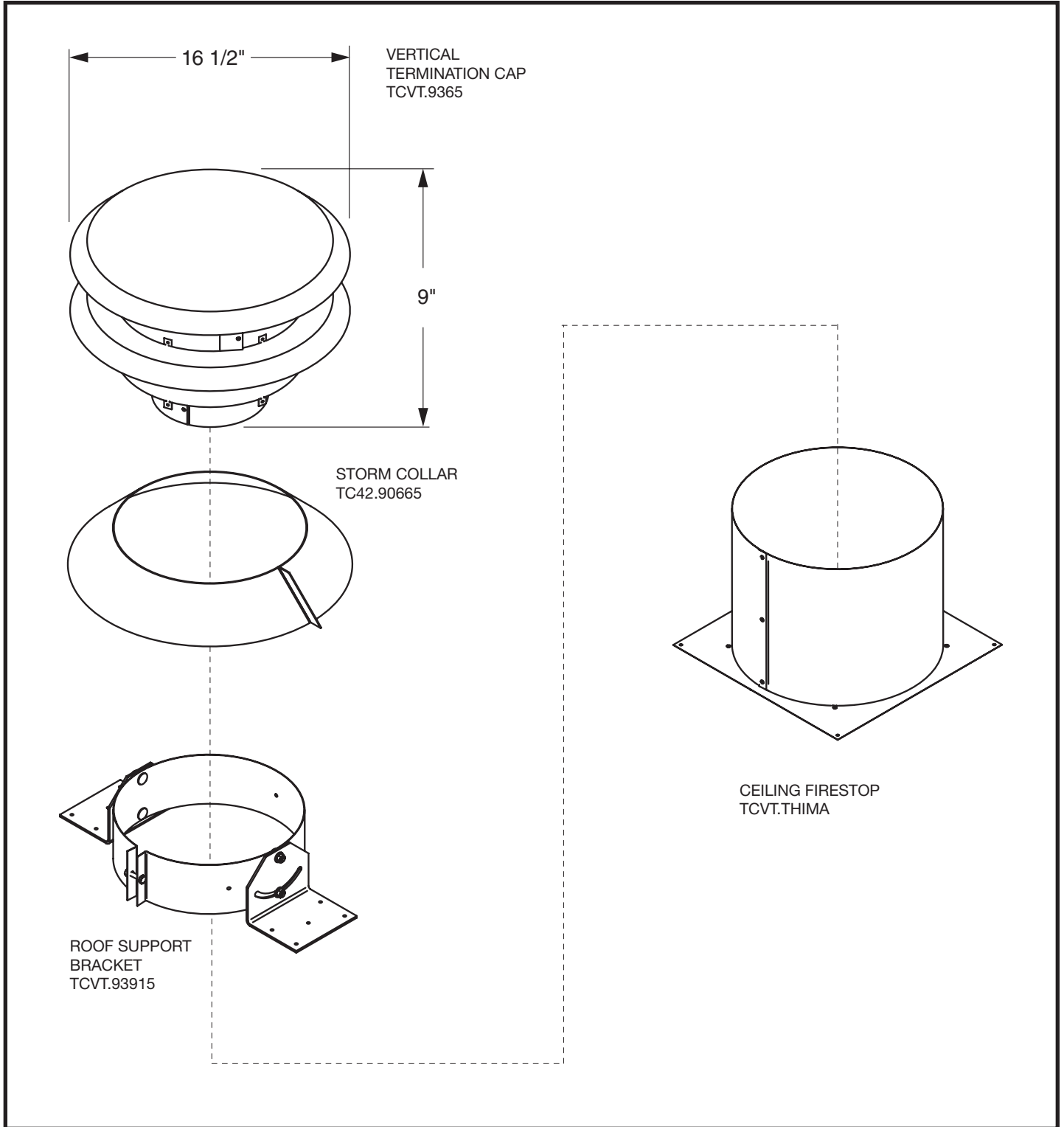


Figure 41: Roof terminator kit.



# Vent Pipe Dimensions

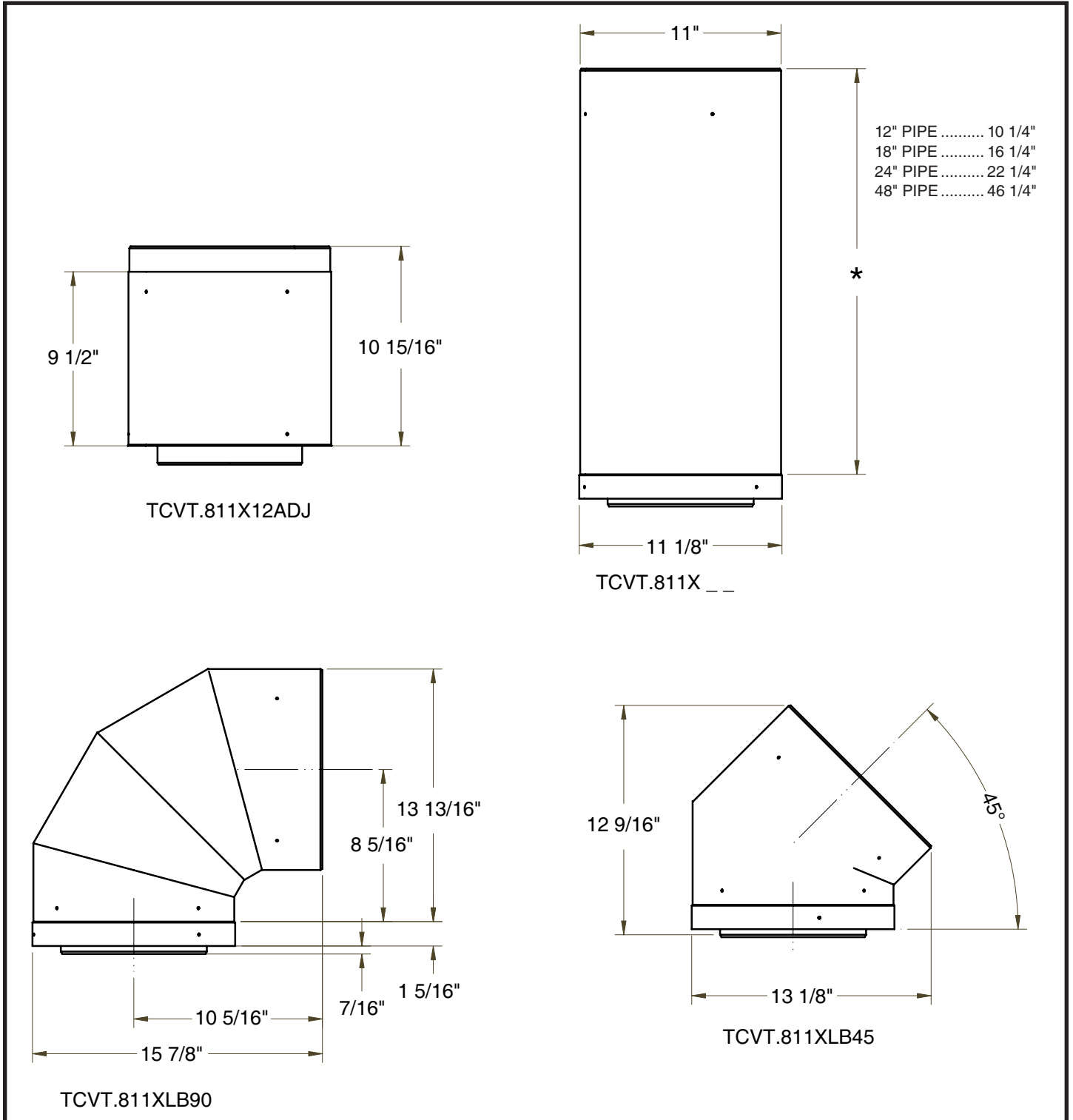


Figure 42: Vent pipe dimensions.

# Vent Offset Chart

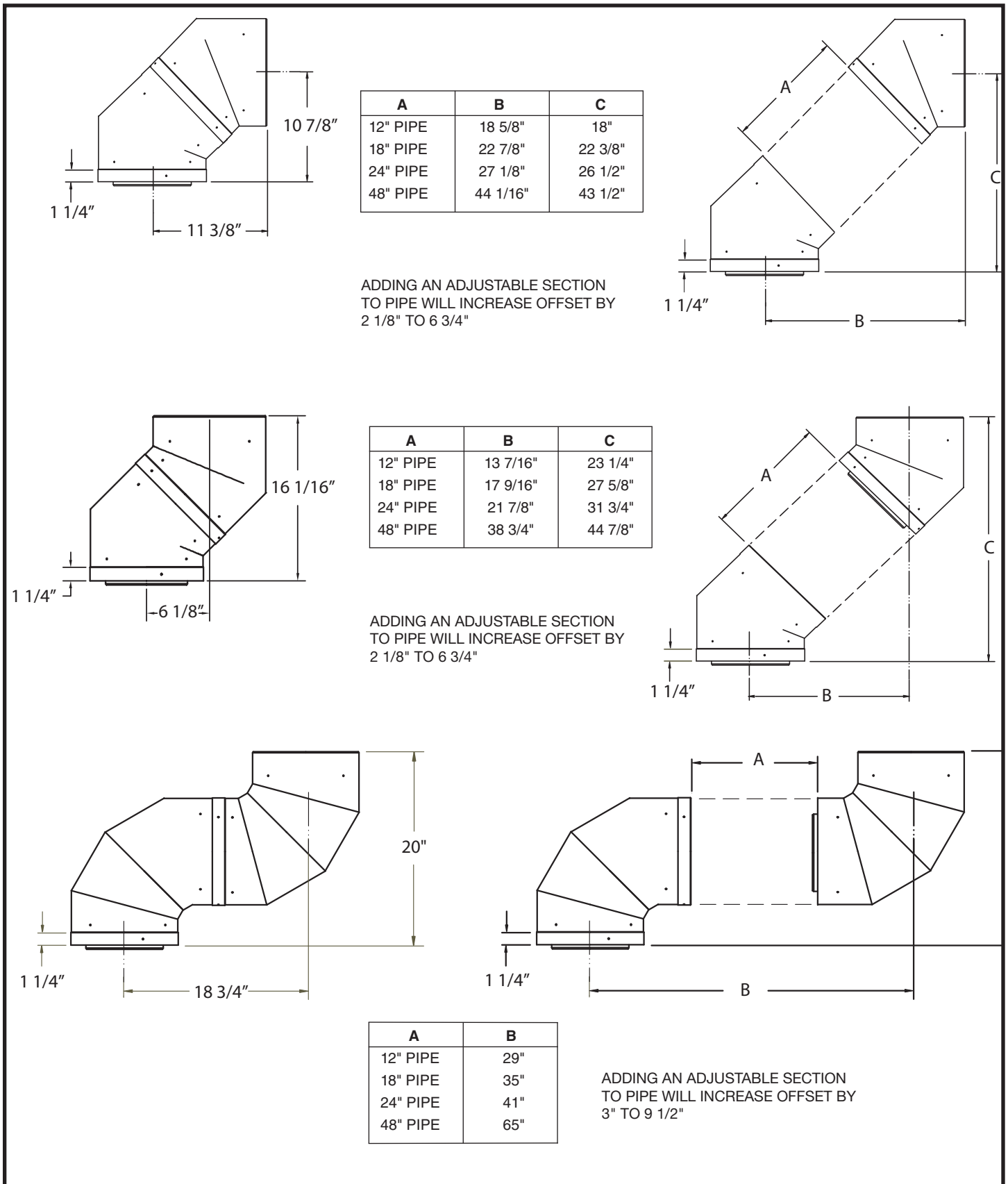


Figure 43: Vent offsets.



# Firebox Panels Installation

**Installation note:** The panel set comes with an upper panel. When installing firebox panels into a “C” series fireplace, use this upper panel. When installing firebox panels into a “D” series fireplace, do not install the upper panel as this panel will obscure the LED light fixtures. Discard this panel instead.

## Installing firebox panels into a “D” series fireplace.

1. Insert the back panel (Figure 44) into the firebox by tilting the panel and rest the panel on the seat tabs at the back of the firebox.

**NOTE:** Seat tabs can be lowered if the rear panel is tight.

**NOTE:** Centering tabs on the panel should be located at the outside of the seat tabs.

2. While supporting the back panel insert the left side panel (Figure 45) into the firebox. Position the top of the panel against the side of the unit, inserting the top panel tab into the slot at the top of the side panel and slide the bottom into position.

**NOTE:** Notch at bottom of side panel faces to front of unit.

3. Repeat step 4 for the other side panel.

### **NOTE: Install burner now.**

4. Place the front bottom panel (Figure 46) on the front lip of the firebox, wide flange facing the front (Figure 47). (Proceed to step #5 if you are installing a TCWS.54NG03.C2 Black Diamond burner with this unit.)
5. Place the other bottom panel piece at the rear of the firebox with the wide flange facing to the rear against the back panel.

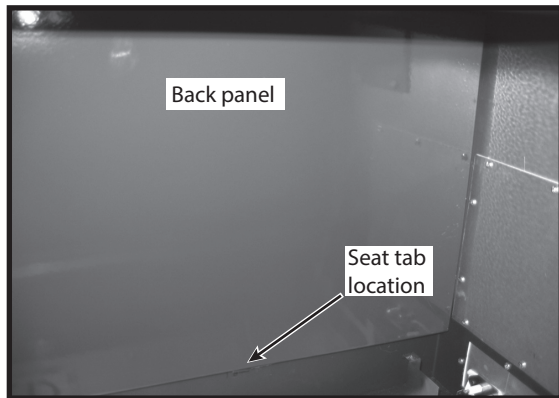


Figure 44: Right seat tab.

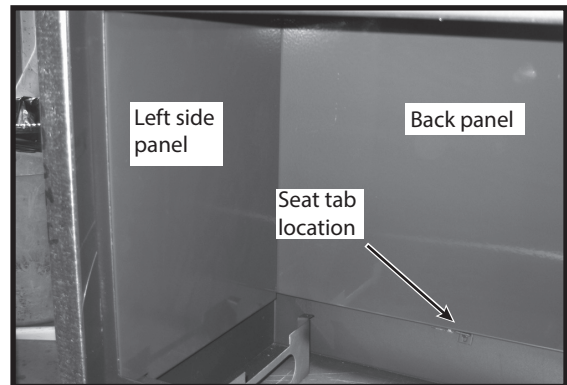


Figure 45: Left seat tab location.

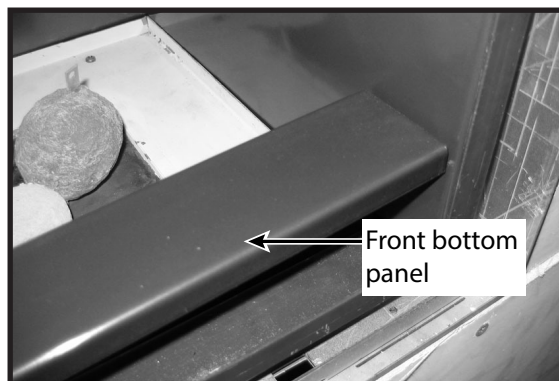


Figure 46: Front panel.

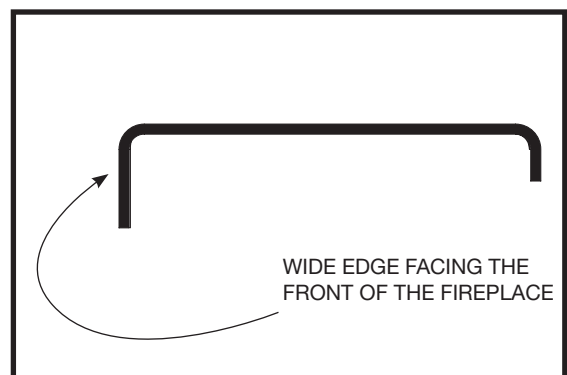


Figure 47: Front panel - side view

## Finishing Touch Trim Kit Installation

The trim kit includes two side pieces, a top piece, and a bottom meshed piece which will be placed onto the fireplace floor and in front of the glass once the fireplace door is installed.

### Installation

1. With the door in place, begin by setting out the two side trim pieces and the top piece. Each of these three trim pieces require 2 small button magnets which are included with the trim pieces.
2. Install the two side trim pieces first using two smaller magnets on each piece as shown in Figure 48 and Figure 49.



Figure 48: Installing the side trim.



Figure 49: Side trim in place.



Figure 50: Installing top trim.

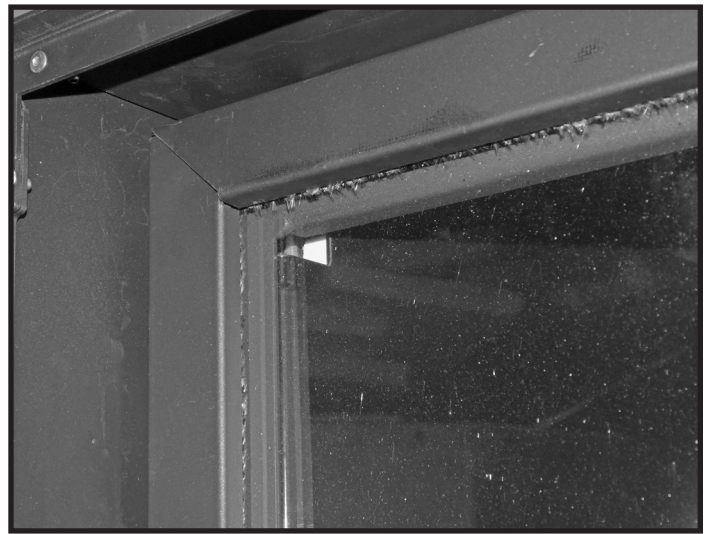


Figure 51: Top trim in place.

3. Install the top trim piece over top of the two side trim pieces using two larger magnets (Figure 50 and Figure 51)..



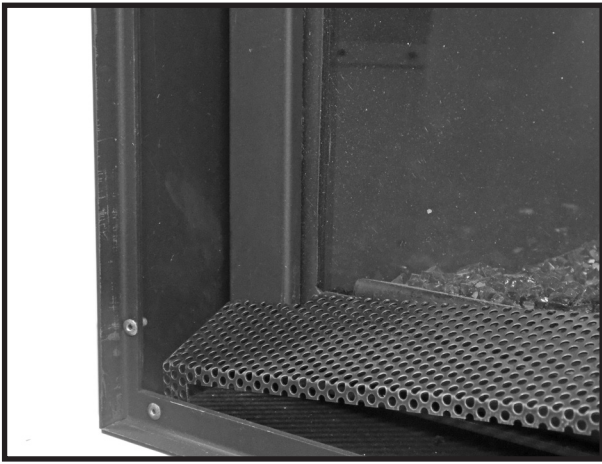


Figure 52: Installing bottom trim.



Figure 53: Bottom trim in place.

4. The meshed trim piece for the bottom rests on the floor and in the gap between the outer-most door frame and the fireplace glass (Figure 52 and Figure 53).



Figure 54: Town & Country magnetic badge.



Figure 55: T&C badge on right side of trim piece.

5. The trim kit comes with a Town & Country badge (Figure 54). Affix this badge to the right hand side of the lower meshed trim piece as shown in Figure 55.
6. Attach the magnetic safety barrier screen (Figure 56) to the outer-most door frame. (Replacement part # 80002227).

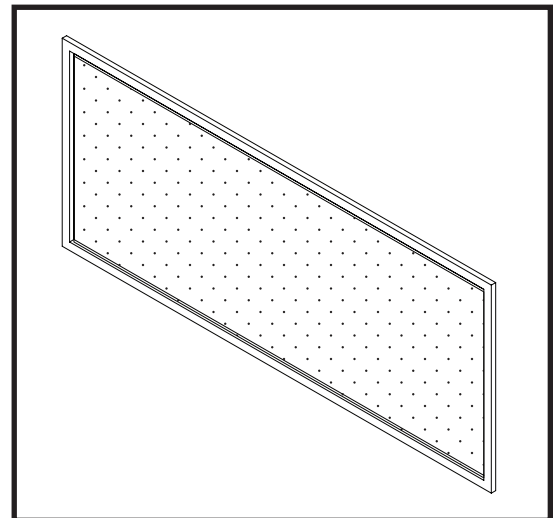


Figure 56: TCWS54 Safety barrier screen.

## Linking Remote Handset to the Fireplace

Town & Country Fireplaces can be operated remotely by using the remote handset that came with the fireplace, and by using a BlueTooth® enabled apple mobile device and the “TC Fire” app which can be downloaded free from the Apple® app store. For linking to the fireplace using a BlueTooth® enabled apple mobile device, refer to the user manual that came with this fireplace. For linking the remote handset that came with this fireplace, complete the following two steps:

### Step 1: Procedure for linking / pairing wall switch to fireplace

1. Set the wall switch selector to the “Remote” setting.
2. Press and hold **Program** button (Figure 57) on the wall switch for up to 10 seconds. Use a straightened paper clip to access the button.
3. The wall switch will beep 5 times. Release the button following the beeps.
4. The fireplace will beep 3 times repeated by another 3 beeps.
5. The fireplace and wall switch are now linked/paired.

**If there is cross communication with another nearby fireplace causing the other fireplace to activate instead of the intended fireplace, repeat above procedure to automatically switch to another one of three available channels.**



Figure 57: Town and Country wall switch.



## Step 2: Procedure for linking / pairing the wall switch to remote handset

1. Press and release **Program** button on the wall switch once (Figure 57).
2. You will hear 3 beeps from the wall switch.
3. Press and release the **on/off** button (Figure 58) on the remote handset (within 60 sec.)
4. The wall switch will beep 3 times.
5. The remote handset is now linked/paired to the wall switch and is ready to activate the fireplace.



Figure 58: Remote handset.



## CAUTION:

Turn off gas and electrical power supply (if applicable) and allow ample time for unit to cool before servicing appliance. It is recommended that the fireplace and its venting should be inspected at least once a year by a qualified service person.

## Glass Panel:

**Warning:** Do not operate fireplace with glass panel removed, cracked or broken. Replacement of the glass panel should be done by a licensed or qualified service person.

Do not strike or otherwise impact the glass in anyway that may cause it to break. If the glass becomes cracked or broken it must be replaced before using the fireplace. Replacement glass can be obtained from your nearest Town & Country Fireplaces™ dealer. Use ceramic glass only. Do not substitute with any other type.

To remove broken glass, remove door frame as noted in "Door Frame Removal" section.

Unclip the Glass Retainer Clips located at the top and sides of the Door Frame. Pull the top edge of the glass out of the frame first, then lift it up and out of the bottom edge.

Install the new piece of glass with the gasket into the frame so that the thicker bead of gasket faces the fireplace.

Re-install glass retaining clips.

## Annual Inspection:

- a) Remove glass panel and pebble assemblies. Inspect pebble and burner assemblies for soot buildup. If excessive buildup of soot is present, have a qualified service person inspect and adjust unit for proper combustion. Clean logs and burner with a brush or vacuum cleaner, paying close attention to burner ports.
- b) Check the pilot system for proper flame size and operation. Clean pilot free of soot, dust or any other deposits. (Figure 59)
- c) Check that the vent pipe and vent terminal are open and free from blockage or debris. If the venting is disassembled for cleaning, it must be properly assembled and re-sealed. Refer to VENTING section for proper procedure.
- d) Check glass panel gasket, replace if necessary. It is important that the glass seal be maintained in good condition.
- e) Check and replace batteries as needed.

Note: The appliance area must be kept clear and free from combustible materials, gasoline and other flammable vapours and liquids.

## Periodically:

- a) Viewing glass may be cleaned as necessary with fireplace glass cleaner.
- b) Exterior finish may be cleaned with mild soap and water.

## CAUTION:

Do not use abrasive cleaners on glass or any other part of the fireplace.

Do not clean glass when hot.

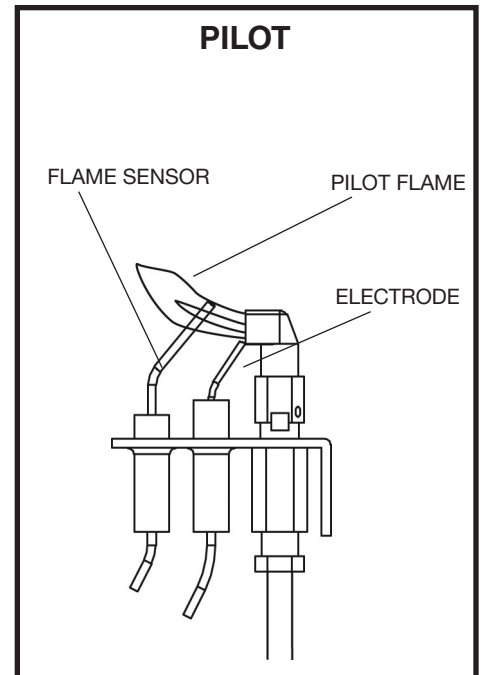


Figure 59: Pilot assembly.

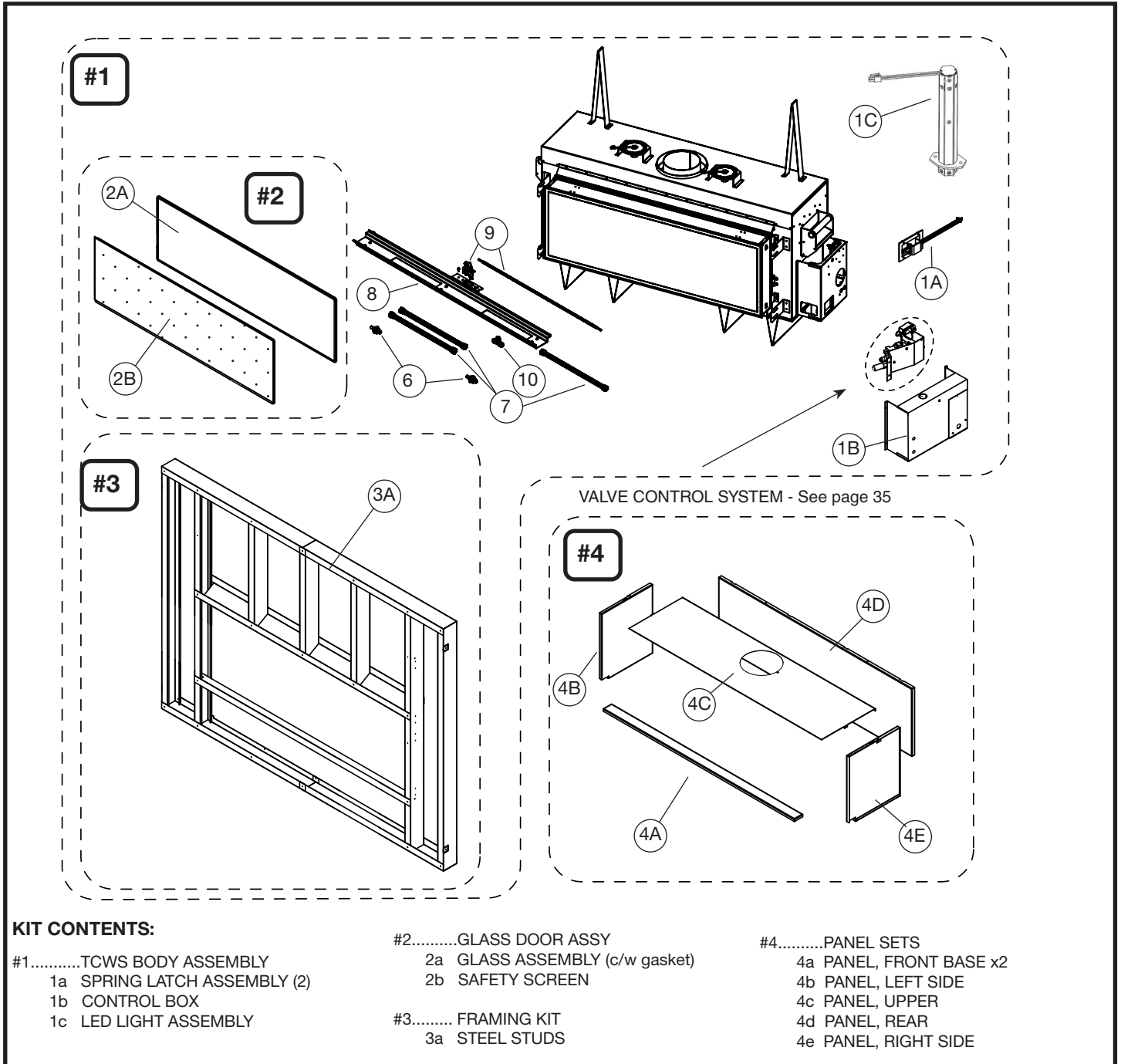


# TCWS.54D Replacement Parts

(WHEN ORDERING, INCLUDE PART NUMBER WITH DESCRIPTION)

ITEM	DESCRIPTION	PART NO.	ITEM	DESCRIPTION	PART NO.
#1	TCWS BODY ASSEMBLY .....	TCWS.54D	*#5	FINISHING TOUCH TRIM KIT .....	TCWS.8265-A
#2	GLASS DOOR ASSY		#6	ORIFICE (2pcs).....	5022.78-A
2a	GLASS ASSEMBLY (c/w gasket).....	GLAS.2062ASSY	#7	MAIN GAS SUPPLY TUBES (3pcs).....	5019.223
2b	SAFETY SCREEN.....	80002227	#8	BURNER SUPPORT.....	9498-B
#3	FRAMING KIT.....	TCWS.8267-B	#9	PILOT ASSEMBLY.....	TCRP.5005025F
#4	PANEL SETS		#10	1/2" TEE .....	5019.013
BLACK PORCELAIN .....	TCPN.775.C				
BROWN PORCELAIN.....	TCPN.775CB.C				
COPPER.....	TCPN.WS54CU.C				
TITANIUM.....	TCPN.WS54TI.C				

\*NOT SHOWN



# Replacement Parts – Valve Control System

(WHEN ORDERING, INCLUDE PART NUMBER WITH DESCRIPTION)

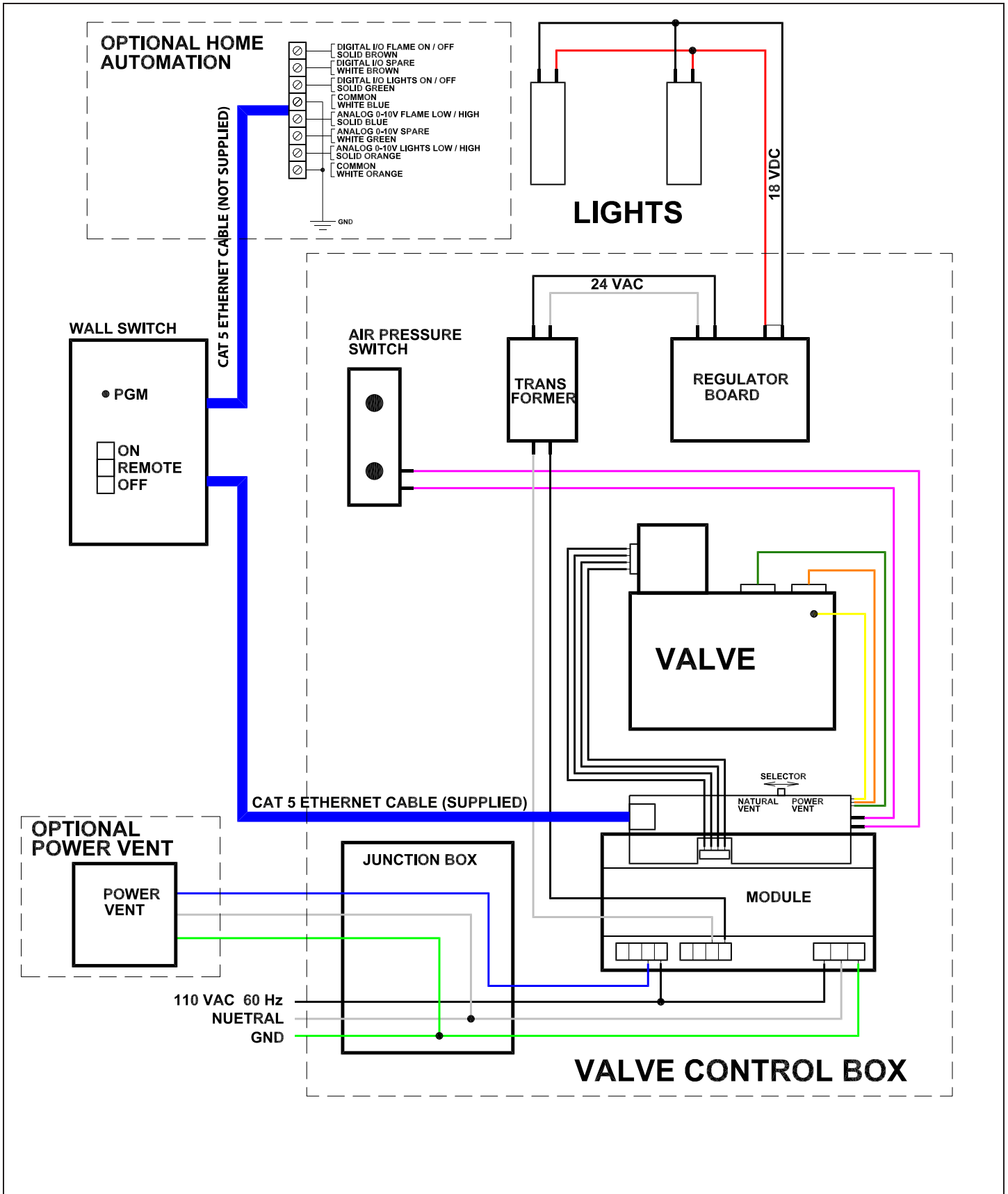
ITEM	DESCRIPTION	PART NO.	ITEM	DESCRIPTION	PART NO.
#1	CONTROL ASSEMBLY KIT .....	TCCV.95755-B	#4	TEST FITTING .....	5019.104
#2	BULKHEAD ASSEMBLY KIT .....	TCRP.8133	#5	WALL SWITCH ASSEMBLY KIT .....	TCRP.WSA
#3	COMMUNICATION CABLE KIT .....	5062.98-A	#6	REMOTE TRANSMITTER .....	TCRP.500307

**KIT CONTENTS:**

#1	CONTROL ASSEMBLY KIT	#2	BULKHEAD ASSEMBLY KIT	#5	WALL SWITCH ASSEMBLY KIT (not shown)
1a	VALVE c/w FITTINGS	2a	INLET PLATE	#6	REMOTE TRANSMITTER (not shown)
1b	1/4" FLEX TUBE	2b	INLET PLATE GASKET		
1c	1/2" FLEX TUBE	2c	ELEC BULKHEAD GASKET		
1d	CONTROL MOUNTING BRACKET	2d	1/2" BULKHEAD FITTING		
1e	IGNITION MODULE	2e	1/4" BULKHEAD FITTING		
1f	WIRING HARNESS	2f	ELEC BULKHEAD FITTING		
1g	TRANSFORMER	#3	CABLE COMMUNICATION KIT		
1h	PRESSURE TEST ASSEMBLY	#4	TEST FITTING		
1i	REGULATOR BOARD				
1j	PRESSURE SWITCH				



# Wiring Diagram



## Quick Panel Removal for Valve Service

1. Remove front panel base (Figure 60). Also remove rear panel base if Black Diamond Burner is fitted.
2. Push up on the heat shield, at the right end of the unit near the middle, enough to clear the securing tab (Figure 61).

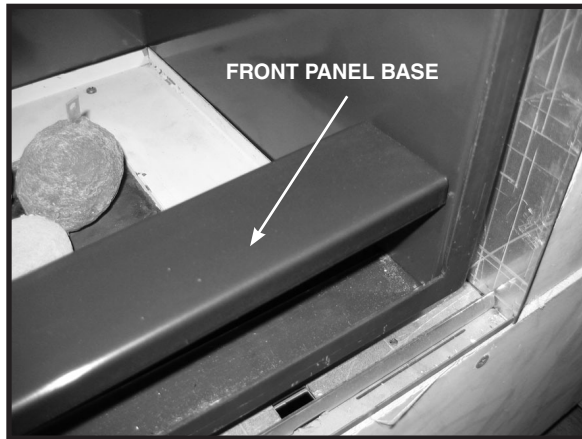


Figure 60: Front panel base.

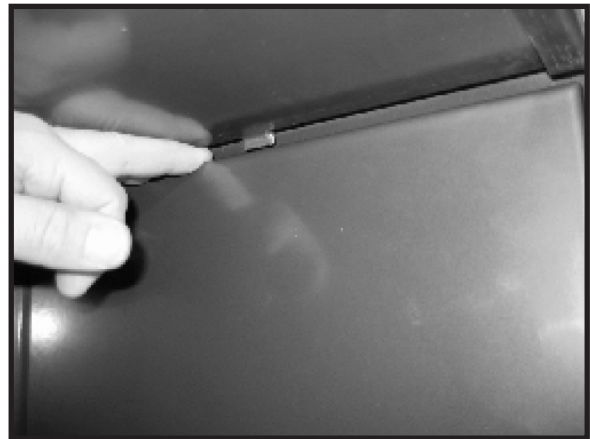


Figure 61: Securing tab.



Figure 62: Removing the side panel.

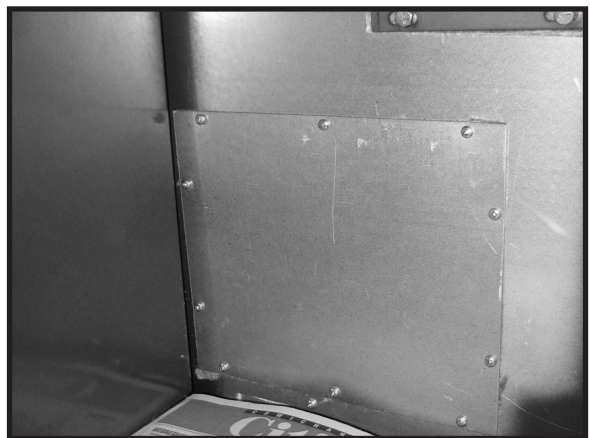


Figure 63: Access panel.

3. Pull the top of the right panel toward the center of the unit using caution not to scratch the back panel (Figure 62).
4. Once the right panel is tilted inwards it can be lifted clear of the burner tray and removed.

NOTE: The right hand side rock cluster may need to be removed to prevent damage while working through the access hole. Covering the sand with paper or cardboard will also minimize disturbance during the servicing process.

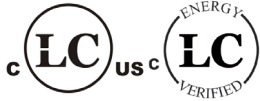
5. The access panel is now visible (Figure 63).
6. Reassemble in reverse order.

**WARNING:** The control box shield, access panel and gasket must be replaced. Failure to do so will overheat and cause premature failure of the control.



# Rating Label

NOTE: The Rating Label is located on a plate found in a slot between the left hand side lintel and the left hand side door frame. This plate is attached to the lintel with a cable.



TOWN & COUNTRY  
FIREPLACES™

MODEL/  
MODELE: **TCWS54**

SERIES/  
SERIE: **D**

MADE IN CANADA  
FABRIQUE AU CANADA

## VENTED GAS FIREPLACE - NOT FOR USE WITH SOLID FUEL FOYER AU GAZ À ÉVACUATION - NE PAS UTILISER AVEC DU COMBUSTIBLE SOLIDE

This is a decorative product and is not intended to be used as a heating appliance.

ANSI Z21.50-2016 / CSA 2.22-2016 Vented Gas Fireplaces  
CAN/CGA 2.17-M91 Gas-Fired Appliance For Use At High Altitudes.

Certified for / Certifié pour Canada and U.S.A.

This Appliance is Equipped For Use With /  
Cet Appareil est Équipé Pour Utiliser Avec :

NATURAL GAS  
GAZ NATUREL

LP-GAS  
LP GAZ

### FOR USE WITH/ EN CASE D'EMPLOI AVEC:

Minimum supply pressure / Pression minimum d'alimentation:  
(For the purpose of input adjustment / dans le but de régler l'alimentation)  
Maximum supply pressure / Pression maximum d'alimentation:

Manifold pressure / Pression de la tuyauterie: Maximum

Orifice Size / Diametre de l'injecteur:

Input BTU/hr (kW) / Entree BTU/h (kW):

### NATURAL GAS/ DU GAZ NATUREL

5.0 in/wc / 5.0 po/c.e.  
(1.25 kPa)  
13.9 in/wc / 13.9 po/c.e.  
(3.45 kPa)  
3.5 in/wc / 3.5 po/c.e.  
(0.87 kPa)

NC x2

Max.: 54,900 (16.0)  
Min.: 38,500 (11.3)

### LP GAS/ DU GAZ LP

12.5 in/wc / 12.5 po/c.e.  
(3.11 kPa)  
13.9 in/wc / 13.9 po/c.e.  
(3.45 kPa)  
10.0 in/wc / 10.0 po/c.e.  
(2.49 kPa)

LC x2

Max.: 54,900 (16.0)  
Min.: 45,000 (13.2)

Optional components/ Éléments facultatifs: Powervent Kit/ kit de ventilation mécanique TCVT.PVI.25, TCVT.PV7.110, TCVT.PVCV, TCVT.PVVT.

Blower electrical rating: 115v, 60hz, 1.1 A / Normes electriques du ventilateur: 115v, 60hz, 1.1 A

This appliance equipped for altitudes 0 - 4500 ft. (0 - 1372 m) / Cet unité est conçu pour des altitudes variant entre 0 - 4500 pieds (0 - 1372 m). In Canada, also certified for installation in a bedroom or a bedsitting room / Aussi certifié pour installation dans une chambre à coucher ou une salle de séjour. This appliance must be installed in accordance with local codes, if any; if none, follow the current CAN/CGA-B149 (Canada), or ANSI Z223.1 (USA) Installation Codes. Installer l'appareil selon les codes ou règlements locaux, ou, en l'absence de tels règlements, selon les codes d'installation CAN/CGA-B149 (Canada), or ANSI Z223.1 (USA) en vigueur.

MANUFACTURED (MOBILE) HOME: This appliance is only for use with the type of gas indicated on the rating plate and may be installed in an aftermarket, permanently located, manufactured (mobile) home where not prohibited by local codes. See owners manual for details.

FABRIQUEZ (MOBILE) MAISON: Cet appareil doit être utilisé uniquement avec le type de gaz indiqué sur la plaque signalétique et peut être installé dans une maison préfabriquée (mobile) installée à demeure si les règlements locaux le permettent. Voir la notice du propriétaire pour plus de détails. Cet appareil ne peut être converti à d'autres gaz sauf si une trousse de conversion certifiée est utilisée.

Install in accordance with the current standard Mobile Homes, CAN/CSA Z240 MH (in CANADA), and the Manufacturer's Home Construction and Safety Standard, Title 24 CFR, Part 3280, or the current Standard for Fire Safety Criteria for Manufactured Home Installations, Sites, and Communities ANSI/NFPA 501A, (in the U.S.A.). Cet appareil doit être installé conformément aux exigences de la norme CAN/CSA Z240 MH en vigueur de l'ACNOR, Installations de gaz dans les Constructions Mobiles.

FOR USE WITH THE GLASS AND SCREEN BARRIER CERTIFIED WITH THE APPLIANCE ONLY / POUR UTILISATION UNIQUEMENT AVEC LES PORTES IN VERRE CERTIFIÉES AVEC L'APPAREIL

### MINIMUM CLEARANCES TO COMBUSTIBLES / CLAIRANCES MINIMALES AVEC LES COMBUSTIBLE

Left and Right side are determined when facing the front of the appliance. / Les côtés droit et gauche se déterminent en se mettant devant l'appareil et en lui faisant face.

Top, Back and Side Standoffs / Sommet, Arrière et Côté Butée  
Sidewall to Appliance / Du mur latéral à l'appareil  
Ceiling to Appliance / Plafond à l'appareil  
Mantel to Appliance / Du manteau à l'appareil  
Maximum Mantel Extension / Allongement maximum du manteau  
\*See Installation Manual for more detail / Voyez des Directive de l'Installation pour plus détails.  
Mantel Supports / Supports du manteau  
Vent Pipe / Déchargez le Tuyau

0 in./ 0 po. (0 mm)  
4 in./ 4 po. (102 mm)  
24 in./ 24 po. (610 mm)  
\*9 in./ 9 po. (229 mm)  
\*12 in./ 12 po. (305 mm)

4 in./ 4 po. (102 mm)  
1.75 in./ 1.75 po. (45 mm)

Pacific Energy  
Fireplace Products Ltd.  
Duncan, British Columbia,  
Canada

P.4.1-15 Efficiency: 26.3%

DATE OF MANUFACTURE

WARNING: Improper installation, adjustment, alteration, service or maintenance can cause injury or property damage. Refer to the owner's information manual provided with this appliance. For assistance or additional information, consult a qualified installer, service agency or the gas supplier.

AVERTISSEMENT: Une installation, un réglage, une modification, une réparation ou un entretien mal effectué peut causer des dommages matériels ou des blessures. Voir la notice de l'utilisateur qui accompagne l'appareil. Pour de l'aide ou des renseignements supplémentaires, consultez un installateur, un technicien agréé ou le fournisseur de gaz.

160119

500000AAA-00

1-TCWS54-D2



© 2019 Copyright Pacific Energy Fireplace Products LTD

Reproduction, adaptation, or translation  
without prior written permission is prohibited,  
except as allowed under the copyright law.



**For technical support, please contact your retailer.**

**Web site: [www.townandcountryfireplaces.com](http://www.townandcountryfireplaces.com)  
2975 Allenby Rd., Duncan, BC V9L 6V8**

Printed in Canada