



Applications

- Indoor • Outdoor
- Wood • Natural Gas • LP
- Combustible Floor Installation
- Custom Finish
- 2 Sided Availability
- Isokern DM Chimney
- Steel Chimney

Firebrick Patterns

- Herringbone • Stock Bond
- Basket Weave • Running Bond

Firebrick Options

- Square Edged Fulls - Red/Beige
- Square Edged Splits - Red/Beige
- Tumbled Splits - Red/Beige
- Square Edged Soaps - Red/Beige



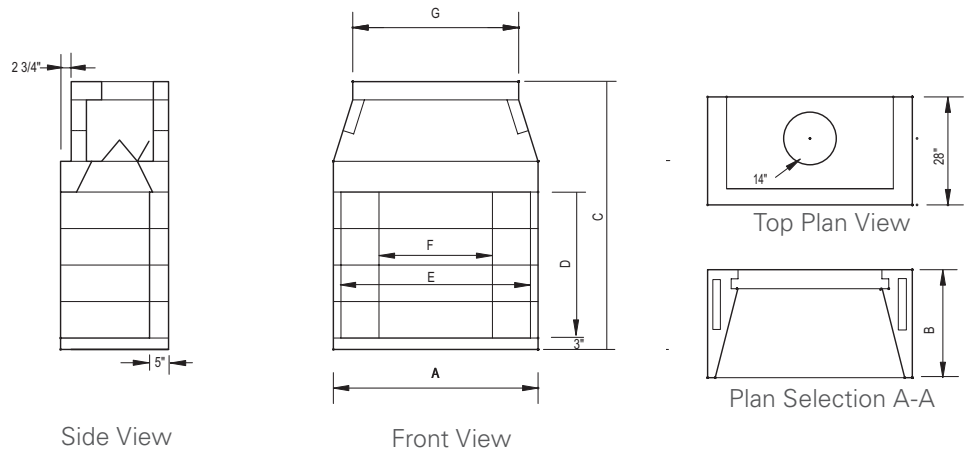
THE ISOKERN MAGNUM SERIES (ALL FUEL/UP TO 48")

Fan the flames of innovation and take your fireplace to new heights. The Isokern Magnum Series Fireplace System product line offers the largest openings available in the market, with finished width openings of 28", 36", 42" and 48". With Isokern's proprietary straight-back interior design and innovative contoured shelf, the modular Magnum Series produces unequalled efficiency, performance and custom fireplace design flexibility.

GREENTECH SOLUTIONS AVAILABLE

THE MAGNUM SERIES

Assembled Firebox and Smoke Dome Dimensions 28, 36, 42, 48.



Model	A	B	C	D	E	F	G	Minimum Framing	Weight
28*	35 1/2"	28"	60 1/4"	28 1/2"	31"	19 3/4"	22 1/4"	(39"w) x (61 1/2"h) x (29 1/2"d)	1040 lb
36	43"	28"	69 3/4"	38"	38 3/8"	27 1/4"	33"	(46"w) x (71"h) x (29 1/2"d)	1300 lbs
42	49"	28"	69 3/4"	38"	44 1/2"	33 1/4"	33"	(52"w) x (71"h) x (29 1/2"d)	1420 lbs
48	53"	28"	69 3/4"	38"	48 1/2"	37 1/4"	43"	(56"w) x (71"h) x (29 1/2"d)	1600 lbs

*Model 28 comes with three side walls and some components must be field cut. Refer to installation manual